

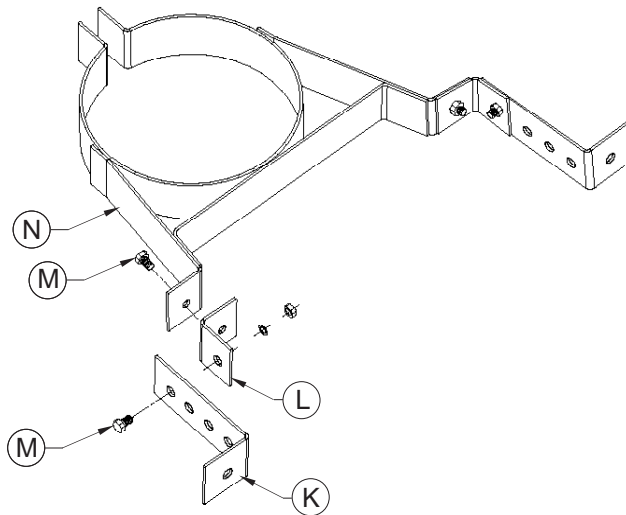


## ADJUSTABLE TEMP GUARD WALL BAND (TGWBA & TGWBA-C)

This kit enables one Temp/Guard wall support to be installed with up to four inches of adjustment between the support and wall surface.

**This kit contains:**

ITEM	DESCRIPTION	QUANTITY	PART NUMBER
K	TGWBA Anchor Bracket	2	13185-01
	TGWBA-C Anchor Bracket (Stainless Steel)	2	13185-02
L	TGWBA Connection Bracket	2	13184-01
	TGWBA-C Connection Bracket (Stainless Steel)	2	13184-02
M	Hardware	4	
N	TG Wall Band	Not Included	



1. Connect Anchor Bracket (K) to Connection Bracket (L) with one included 8-32 bolt, nut & washer. (M)
2. Connect Connection Bracket (L) to Temp Guard Wall Band (N) with two included 8-32 bolt, nut, & washer.
3. Repeat for opposite side.
4. Mount to wall according to Temp Guard Wall Support installation instructions.

**NOTE:** To adjust distance from mounting wall, use alternate holes provided in Anchor Bracket (A).

**TGWBA &**

**TGWBA &**

**TGWBA-C**

**TGWBA-C**

**TGWBA &**

**TGWBA &**

**TGWBA-C**

**TGWBA-C**