

DESIGNED MANUALLY

PRESSURE INDUSTRIAL CHIMNEY



METAL-FAB INC.
An OLYMPIC STEEL Company

For Heating Appliances,
Generator & Fume Exhaust

SELECTION GUIDE

PRESSURE RATED CHIMNEYS & VENTS

MODELS	PSW Single Wall	PIC Double Wall 1" Air Insulated	IPIC-1 Double Wall 1" Ceramic Insulation	IPIC-2 Double Wall 2" Ceramic Insulation	IPIC-4 Double Wall 4" Ceramic Insulation
--------	--------------------	---	---	---	---

CONSTRUCTION

Flues	304 or 316 Stainless Steel
Casings	Aluminized Steel, 304 or 316 Stainless Steel

PRESSURES

Positive – Neutral – Negative

APPLICATIONS

Chimneys	Vents	Stationary Combustion Engines
Stacks	Solid Fuel Burning Appliances	Stationary Gas Turbines
Commercial Fireplaces	Building Heating Appliances	Fume Exhausts / Venting*
Air Duct	1400° F Chimney	

*Consult appropriate authority to determine fume compatibility with 304 or 316 stainless steel & silicone sealants.

KITCHEN VENTILATION

In addition to the products listed above, Metal-Fab offers “G Series” Factory-Built Grease Duct Systems in full compliance with the current requirements. Additional components include Fan Curb Terminations, clean out access, and transitions. For more information, request the “G Series” Factory-Built Grease Duct Design Manual (L2084) Visit our website: www.metal-fabcommercial.com

CONDENSING APPLICATIONS

For condensing appliances and other acidic/caustic applications, select Corr/Guard®. Flues are constructed from AL29-4C stainless steel, the choice for corrosive environments. Additional information is available by requesting the Corr/Guard® Design Manual (L2610) or visit our website: www.metal-fabcommercial.com

MISCELLANEOUS

Metal-Fab manufactures a complete line of products for Category I gas-burning appliances, a variety of Hearth and HVAC applications. Visit our website www.metal-fabinc.com

STANDARDS AND LISTINGS

NFPA 37	Standard for the Installation and Use of Stationary Combustion Engines and Gas Turbines.
NFPA 54	National Fuel Gas Code
NFPA 211	Standard for Chimneys, Fireplaces, Vents, and Solid Fuel-Burning Appliances.
UL 103	Standard for Safety, Factory-Built Chimneys for Residential and Building Heating Appliances.
ASTM E119	Standard Test Methods for Fire Tests of Building Construction and Materials.

TABLE OF CONTENTS

SELECTION GUIDE	2	DEFINITIONS	5
STANDARDS & LISTINGS	2	CLEARANCES	6
MODEL CODES	3	SUPPORT DATA	7
GENERAL INFORMATION	3	WEIGHT / LIFT INFORMATION	8
FUEL TYPES	4	ENGINE / TURBINE EXHAUST	9
PRESSURE RATING	4	COMPONENTS	10-24
MATERIAL SELECTIONS	4	SEALANTS	25
TEMPERATURE RATINGS	4	45MT DIMENSIONAL DATA	26-31
MATERIAL THICKNESS	4	DESIGN CHECKLIST	32
INSULATION THICKNESS	5	WARRANTIES	32
CASING SURFACE TEMPERATURES	5		

MODEL CODES

ICC: International Code Council

The ICC is a not-for-profit organization established by the International Conference of Building Officials, Building Officials and Code Administrators International, and the Southern Building Code Congress International to create a single set of comprehensive and coordinated international codes. This set is called the International Codes. ICBO, BOCA, and SBCCI no longer publish separate codes. Codes regarding chimneys and vents are in the International Mechanical Code (IMC).

IAPMO: International Association of Plumbing & Mechanical Officials

IAPMO publishes the Uniform Plumbing Code® (UPC), Uniform Mechanical Code® (UMC), and a number of other life safety codes. IAPMO is most recognized for their development of the Uniform Plumbing Code.

NFPA: National Fire Protection Association

NFPA develops codes and standards for fire safety. There are over 300 NFPA codes and standards.

GENERAL INFORMATION

Pertinent information is consolidated in this publication to assist you with application information, codes and standards, dimensional information, support requirements and other data of special interest. It is our goal to enable you to select the proper product to meet the requirements of your project confidently and efficiently.

For additional information you may contact us via:

Web Site: www.metal-fabcommercial.com
Telephone: 316-943-2351
Toll Free Phone: 800-835-2830
Fax: 316-771-4168
E-mail: cvpcs@metal-fabinc.com

Complete information for proper and safe installations is found in the Metal-Fab Installation Instructions for each product.

Model PIC and IPIC building heating appliance chimneys are suitable for use with building heating appliances and other low heat appliances as described in NFPA 211; Chimneys, Fireplaces, Vents, and Solid Fuel-Burning Appliances, that produce exhaust flue gas temperatures not exceeding 1000°F continuous or 1400°F intermittently. The PIC and IPIC chimneys are also suitable for higher heat applications where continuous temperatures do not exceed 1400°F and where the intermittent maximum temperature is less than 1800°F.

NOTE: Dimensions are American Standard (feet & inches), with metric in parenthesis except where stated otherwise. Always consult appliance installation instructions for exhaust temperatures, pressures, and operating conditions. Appliance manufacturer may limit horizontal runs, elbows, offsets, vertical heights, etc.



PRODUCT MODEL	PSW	PIC	IPIC-1	IPIC-2	IPIC-4
UL File No. - Chimney	MH17528	MH8251	MH8251	MH8251	MH8251
UL Listings					
Building Heating Appliance		X	X	X	X
1400°F Factory-Built Chimney		X	X	X	X
Standards					
NFPA 37		X	X	X	X
NFPA 211	X	X	X	X	X
UL 103		X	X	X	X
UL 1777	X				
Regional Acceptance					
California State Fire Marshall					
Chimney No.: 4146-296:100		X			
City of New York					
Chimney No.: MEA245-97-M		X	X	X	X
Massachusetts					
Chimney No.: G3-0207-314		X	X	X	X

FUEL TYPES	
All Models	Natural and LP Gas, #2-6 Fuel Oil, Coal, Wood, Fumes

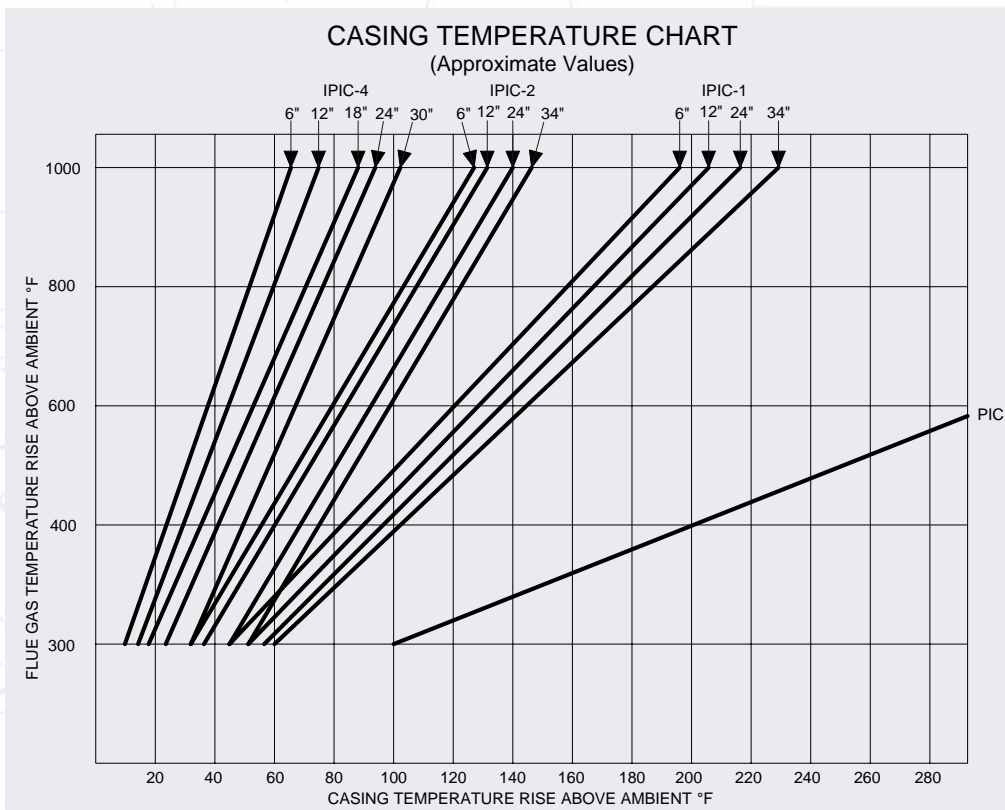
EXHAUST PRESSURE	
All Models	Positive, Neutral, Negative

MATERIAL SELECTIONS	
FLUE	CASING
304 Stainless Steel	Aluminized Steel
316 Stainless Steel	304 Stainless Steel
	316 Stainless Steel

TEMPERATURE RATINGS		
	Building Heating Appliances	Factory-Built Chimneys
Continuous	1000°F (538C)	1400°F (760C)
Intermittent	1400°F (760C)	1800°F (982C)

FLUE MATERIAL THICKNESS					
Flue	PSW	PIC	IPIC-1	IPIC-2	IPIC-4
6"-36" (152-914)	.035"(.9)	.035"(.9)	.035"(.9)	.035"(.9)	.035"(.9)
38"-48" (965-1219)	.048" (1.2)	.048" (1.2)	.048" (1.2)	.048" (1.2)	.048" (1.2)
CASING MATERIAL THICKNESS – BASED ON FLUE DIAMETER – *ALUMINIZED / STAINLESS					
6"-18" (152-457)	Not Applicable	*.024"(.6) / .024(.6)	*.024"(.6) / .024(.6)	*.024"(.6) / .024(.6)	*.024"(.6) / .024(.6)
20"-22" (508-559)		*.024"(.6) / .024(.6)	*.024"(.6) / .024(.6)	*.024"(.6) / .024(.6)	*.034"(.9) / .024(.6)
24" (610)		*.024"(.6) / .024(.6)	*.024"(.6) / .024(.6)	*.034"(.9) / .024(.6)	*.034"(.9) / .024(.6)
26"-30" (660-762)		*.034"(.9) / .024(.6)	*.034"(.9) / .024(.6)	*.034"(.9) / .024(.6)	*.034"(.9) / .024(.6)
32"-34" (813-864)		*.034"(.9) / .024(.6)	*.034"(.9) / .024(.6)	*.034"(.9) / .024(.6)	*.034"(.9) / .035(.9)
36" (914)		*.034"(.9) / .024(.6)	*.034"(.9) / .024(.6)	*.034"(.9) / .035(.9)	*.034"(.9) / .035(.9)
38"-48" (965-1219)		*.034"(.9) / .035(.9)	*.034"(.9) / .035(.9)	*.034"(.9) / .035(.9)	*.034"(.9) / .035(.9)

INSULATION THICKNESS				
PSW	PIC	IPIC-1	IPIC-2	IPIC-4
None	1" Air Space	1" Ceramic	2" Ceramic	4" Ceramic



DEFINITIONS

Alternative Methods: The use of other methods or devices for the compliance with a standard, provided that sufficient technical data are submitted to the Authority Having Jurisdiction to demonstrate that the proposed method or device is equivalent in quality, strength, fire endurance, effectiveness, durability and safety to that of the standard.

Authority Having Jurisdiction: The organization, office, or individual responsible for approving equipment, an installation, or procedure.

Breeching: That portion of the system that conveys products of combustion from the appliance(s) to the chimney. Also referred to as vent connector.

Chimney: A primarily vertical passageway for removing products of combustion from a structure. Factory-built chimneys shall be listed by an accredited testing agency.

Combustible Material: Material subject to an increase in combustibility or flame spread rating beyond the limits established in the definition of limited combustibles.

Limited Combustibles: Building combustible material that does not comply with the definition of a non-combustible material, that in the form used, has a potential heat value not exceeding 3500 Btu/lb. (Abbreviated... see NFPA for full definition)

Liquid-tight: Constructed and performing in such a manner as not to permit the passage of any liquid at any temperature.

Listed: Equipment, materials, or services included in a list published by an organization that is acceptable to the Authority Having Jurisdiction and concerned with the evaluation of products or services, that maintains periodic inspection of production of listed equipment or materials or periodic evaluation of services, and whose listing states that either the equipment, material or service meets the identified standards or has been tested and found suitable for a specific purpose.

DEFINITIONS (CONTINUED)

Non-Combustibles: A material that, in the form in which it is used and under the conditions anticipated, will not ignite, burn, support combustion, or release flammable vapors when subjected to fire or heat. Materials that are reported to pass ASTM E 136 *Standard Test Method for Behavior of Materials in a Vertical Tube Furnace at 750C* shall be considered non-combustible materials

Special Gas Vent: A vent constructed and listed to UL 1738. This Standard refers to venting Category II, and IV appliances, considered to be condensing types. Metal-Fab Corr/Guard is recommended for these appliances.

Vents, Type B: Factory made vents listed by a nationally recognized testing agency for venting listed gas appliances with draft hoods and other Category I gas appliances listed for use with Type-B gas vents.

CLEARANCE TO COMBUSTIBLES

Refer to the table for clearances. Consideration in design should be given to allow adequate clearances for installation. Roof Support Assemblies and Ventilated Thimble Assemblies are used to penetrate a combustible roof. All other parts are for attachment to non-combustible construction (i.e. floor guides, wall guides, plate and wall support assemblies).

DO NOT ENCLOSE WITH COMBUSTIBLE CONSTRUCTION

CLEARANCE: 1000°F (538°C) CONTINUOUS, 1400°F (760°C) INTERMITTENT BUILDING HEATING APPLIANCE

DIAMETER	PSW		PIC		IPIC-1		IPIC-2		IPIC-4	
	INT.	EXT.	INT.	EXT.	INT.	EXT.	INT.	EXT.	INT.	EXT.
6" (152)	18" (457)	18" (457)	4" (102)	4" (102)	1" (25)	1" (25)	1" (25)	1" (25)	1" (25)	1" (25)
8"-16" (203-406)	18" (457)	18" (457)	4" (102)	4" (102)	2" (51)	2" (51)	1" (25)	1" (25)	1" (25)	1" (25)
18" (457)	18" (457)	18" (457)	5" (127)	5" (127)	3" (76)	3" (76)	1" (25)	1" (25)	1" (25)	1" (25)
20" (508)	18" (457)	18" (457)	6" (152)	6" (152)	3" (76)	3" (76)	1" (25)	1" (25)	1" (25)	1" (25)
22" (559)	18" (457)	18" (457)	7" (178)	6" (152)	3" (76)	3" (76)	1" (25)	1" (25)	1" (25)	1" (25)
24" (610)	18" (457)	18" (457)	8" (203)	6" (152)	3" (76)	3" (76)	1" (25)	1" (25)	1" (25)	1" (25)
26" (660)	18" (457)	18" (457)	9" (229)	6" (152)	3" (76)	3" (76)	1" (25)	1" (25)	1" (25)	1" (25)
28"-32" (711-813)	18" (457)	18" (457)	10" (254)	6" (152)	4" (102)	4" (102)	1" (25)	1" (25)	1" (25)	1" (25)
34" (864)	18" (457)	18" (457)	10" (254)	6" (152)	5" (127)	5" (127)	1" (25)	1" (25)	1" (25)	1" (25)
36"-40" (914-1016)	18" (457)	18" (457)	10" (254)	6" (152)	5" (127)	5" (127)	3" (76)	1" (25)	3" (76)	1" (25)
42"-44" (1067-1118)	18" (457)	18" (457)	10" (254)	6" (152)	6" (152)	6" (152)	3" (76)	1" (25)	3" (76)	1" (25)
46" (1168)	18" (457)	18" (457)	10" (254)	6" (152)	6" (152)	6" (152)	3" (76)	1" (25)	3" (76)	1" (25)
48" (1219)	18" (457)	18" (457)	10" (254)	6" (152)	6" (152)	6" (152)	3" (76)	1" (25)	3" (76)	1" (25)

CLEARANCE: 1400°F (760°C) CONTINUOUS, 1800°F (982°C) INTERMITTENT FACTORY-BUILT CHIMNEY

DIAMETER	PSW		PIC		IPIC-1		IPIC-2		IPIC-4	
	INT.	EXT.	INT.	EXT.	INT.	EXT.	INT.	EXT.	INT.	EXT.
6" (152)	18" (457)	18" (457)	4" (102)	4" (102)	1" (25)	1" (25)	1" (25)	1" (25)	1" (25)	1" (25)
8"-16" (203-406)	18" (457)	18" (457)	4" (102)	4" (102)	2" (51)	2" (51)	1" (25)	1" (25)	1" (25)	1" (25)
18" (457)	18" (457)	18" (457)	6" (152)	6" (152)	3" (76)	3" (76)	1" (25)	1" (25)	1" (25)	1" (25)
20" (508)	18" (457)	18" (457)	8" (203)	8" (203)	3" (76)	3" (76)	1" (25)	1" (25)	1" (25)	1" (25)
22" (559)	18" (457)	18" (457)	9" (229)	9" (229)	3" (76)	3" (76)	1" (25)	1" (25)	1" (25)	1" (25)
24" (610)	18" (457)	18" (457)	10" (254)	10" (254)	3" (76)	3" (76)	1" (25)	1" (25)	1" (25)	1" (25)
26" (660)	18" (457)	18" (457)	10" (254)	10" (254)	3" (76)	3" (76)	1" (25)	1" (25)	1" (25)	1" (25)
28"-32" (711-813)	18" (457)	18" (457)	10" (254)	10" (254)	4" (102)	4" (102)	1" (25)	1" (25)	1" (25)	1" (25)
34" (864)	18" (457)	18" (457)	10" (254)	10" (254)	5" (127)	5" (127)	1" (25)	1" (25)	1" (25)	1" (25)
36"-40" (914-1016)	18" (457)	18" (457)	10" (254)	10" (254)	5" (127)	5" (127)	3" (76)	1" (25)	3" (76)	1" (25)
42"-48" (1067-1219)	18" (457)	18" (457)	10" (254)	10" (254)	6" (152)	6" (152)	3" (76)	1" (25)	3" (76)	1" (25)

SUPPORT DATA

NOTE: Thermal expansion between supports should always be determined. If the computed expansion between fixed points is greater than 0.375", we recommend an Adjustable Length or Bellows Joint be installed.

The formula for computing expansion is:

[Length (feet)/100] X [Temperature Rise degreesF/100]

Example [50' / 100] X [500F/100] = 2.5" Expansion.

SUPPORTS - VERTICAL		Maximum Supported Height			
PRODUCT	PSW	PIC	IPIC-1	IPIC-2	IPIC-4
Plate Support (PS)	100' (30.5m)	100' (30.5m)	85' (25.9m)	75' (22.9m)	73' (22.3m)
Roof Support Assembly (RSA)	30' (9.1m)	30' (9.1m)	25' (7.6m)	22' (6.7m)	22' (6.7m)
Wall Support Assembly (WSA)	40' (12.2m)	40' (12.2m)	34' (10.4m)	30' (9.1m)	29' (8.8m)
Stack Support Assembly (SSA)	100' (30.5m)	100' (30.5m)	100' (30.5m)	100' (30.5m)	100' (30.5m)
Pier or Structural Support	100' (30.5m)	100' (30.5m)	85' (25.9m)	75' (22.9m)	73' (22.3m)

Values shown are the maximum distance between supports. Guides are also required.

GUIDES - HORIZONTAL		Maximum Spacing-Horizontal			
(See Components Section for guide selection)					
PRODUCT	PSW	PIC	IPIC-1	IPIC-2	IPIC-4
Component Choices:					
Half Angle Ring (HAR)	12' 6" (3.8m)	12' 6" (3.8m)	10' (3.1m)	9' (2.7m)	9' (2.7m)
Full Angle Ring (FAR)	12' 6" (3.8m)	12' 6" (3.8m)	10' (3.1m)	9' (2.7m)	9' (2.7m)
Plate Support (PS)	12' 6" (3.8m)	12' 6" (3.8m)	10' (3.1m)	9' (2.7m)	9' (2.7m)

GUIDES - VERTICAL		Maximum Spacing-Vertical / OUTSIDE			
Adjacent to Structure					
(See Components Section for guide selection)					
Flue Diameter - Inches	PSW	PIC	IPIC-1	IPIC-2	IPIC-4
6" (152)	17' (5.2m)	17' (5.2m)	17' (5.2m)	10' 6" (3.2m)	8' 3" (2.5m)
8" (203)	17' 6" (5.3m)	17' 6" (5.3m)	17' 6" (5.3m)	12' (3.7m)	9' 7" (2.9m)
10" (254)	18' 6" (5.6m)	18' 6" (5.6m)	18' 6" (5.6m)	13' 3" (4.0m)	10' 9" (3.3m)
12" (305)	20' (6.1m)	20' (6.1m)	20' (6.1m)	14' 6" (4.4m)	11' 11" (3.6m)
14" (356)	21' (6.4m)	21' (6.4m)	21' (6.4m)	15' 11" (4.8m)	13' 2" (4.0m)
16" (406)	22' (6.7m)	22' (6.7m)	22' (6.7m)	17' (5.2m)	14' 2" (4.3m)
18" (457)	23' (7.0m)	23' (7.0m)	23' (7.0m)	18' 3" (5.6m)	15' 4" (4.7m)
20" (508)	24' (7.3m)	24' (7.3m)	24' (7.3m)	19' 6" (5.9m)	16' 4" (5.0m)
22" (559)	24' 6" (7.5m)	24' 6" (7.5m)	24' 6" (7.5m)	20' 2" (6.2m)	17' (5.2m)
24" (610)	25' (7.6m)	25' (7.6m)	25' (7.6m)	20' 9" (6.3m)	17' 7" (5.4m)
26" (660)	26' (7.9m)	26' (7.9m)	26' (7.9m)	21' 5" (6.5m)	18' 2" (5.5m)
28" (711)	27' (8.2m)	27' (8.2m)	27' (8.2m)	22' 1" (6.9m)	18' 9" (5.7m)
30" (762)	27' (8.2m)	27' (8.2m)	27' (8.2m)	22' 8" (7.1m)	19' 4" (5.9m)
32" (813)	28' 6" (8.7m)	28' 6" (8.7m)	28' 6" (8.7m)	23' 4" (7.3m)	19' 11" (6.1m)
34" (864)	29' (8.8m)	29' (8.9m)	29' (8.9m)	24' (7.3m)	20' 6" (6.2m)
36" (914)	30' (9.1m)	30' (9.1m)	30' (9.1m)	24' 7" (7.5m)	21' (6.4m)
38" (965)	30' 6" (9.3m)	30' 6" (9.3m)	30' 6" (9.3m)	24' 7" (7.5m)	21' (6.4m)
40" (1016)	31' (9.4m)	31' (9.4m)	31' (9.4m)	24' 7" (7.5m)	21' (6.4m)
42" (1067)	32' (9.8m)	32' (9.8m)	32' (9.8m)	24' 7" (7.5m)	21' (6.4m)
44" (1118)	32' 6" (9.9m)	32' 6" (9.9m)	32' 6" (9.9m)	24' 7" (7.5m)	21' (6.4m)
46" (1168)	33' 6" (10.2m)	33' 6" (10.2m)	33' 6" (10.2m)	24' 7" (7.5m)	21' (6.4m)
48" (1219)	34' 6" (10.5m)	34' 6" (10.5m)	34' 6" (10.5m)	24' 7" (7.5m)	21' (6.4m)

GUIDES - VERTICAL		Max. Vertical Spacing - VERTICAL/INTERNAL			
Below Roofline					
(See components section for guide selection)					
PRODUCT	PSW	PIC	IPIC-1	IPIC-2	IPIC-4
All Diameters - Full Angle Ring	25' (7.6m)	25' (7.6m)	21' (6.4m)	19' (5.8m)	18' (5.5m)

WEIGHT/LIFT INFORMATION

The average weight of the chimney, per foot of length, can be calculated using the following formula:

$$\text{Weight (lbs. per lineal foot)} = \text{pipe dia. in inches} \times \text{"weight factor"}$$

Weight Factor:

PSW	= 0.40	IPIC-2	= 1.05
PIC	= 0.80	IPIC-4	= 1.45
IPIC-1	= 0.95		

Example: 8" IPIC-1 weight calculated: 8 x 0.95 = 7.6 lbs. per lineal foot.

STACK LIFT CHART

This chart indicates maximum height that can be suspended without support.

PIPE DIA.	PSW Height	PIC Height	IPIC-1 Height	IPIC-2 Height	IPIC-4 Height
6" (152)	220' (67.1m)	110' (33.5m)	90' (27.4m)	80' (24.4m)	60' (18.3m)
8" (203)	190' (57.9m)	90' (27.4m)	80' (24.4m)	70' (21.3m)	50' (15.2m)
10" (254)	170' (51.8m)	80' (24.4m)	70' (21.3m)	60' (18.3m)	40' (12.2m)
12" (305)	150' (45.7m)	80' (24.4m)	70' (21.3m)	60' (18.3m)	40' (12.2m)
14" (356)	140' (42.7m)	70' (21.3m)	60' (18.3m)	50' (15.2m)	40' (12.2m)
16" (406)	130' (39.6m)	70' (21.3m)	60' (18.3m)	50' (15.2m)	40' (12.2m)
18" (457)	120' (36.6m)	60' (18.3m)	50' (15.2m)	50' (15.2m)	40' (12.2m)
20" (508)	110' (33.5m)	60' (18.3m)	50' (15.2m)	40' (12.2m)	30' (9.1m)
22" (559)	110' (33.5m)	50' (15.2m)	40' (12.2m)	40' (12.2m)	30' (9.1m)
24" (610)	100' (30.5m)	50' (15.2m)	40' (12.2m)	40' (12.2m)	30' (9.1m)
26" (660)	90' (27.4m)	50' (15.2m)	40' (12.2m)	40' (12.2m)	30' (9.1m)
28" (711)	90' (27.4m)	40' (12.2m)	40' (12.2m)	30' (9.1m)	20' (6.1m)
30" (762)	80' (24.4m)	40' (12.2m)	40' (12.2m)	30' (9.1m)	20' (6.1m)
32" (813)	80' (24.4m)	40' (12.2m)	30' (9.1m)	30' (9.1m)	20' (6.1m)
34" (864)	70' (21.3m)	40' (12.2m)	30' (9.1m)	20' (6.1m)	20' (6.1m)
36" (914)	70' (21.3m)	30' (9.1m)	30' (9.1m)	20' (6.1m)	15' (4.6m)
38" (965)	60' (18.3m)	30' (9.1m)	20' (6.1m)	20' (6.1m)	15' (4.6m)
40" (1016)	60' (18.3m)	30' (9.1m)	20' (6.1m)	20' (6.1m)	15' (4.6m)
42" (1067)	60' (18.3m)	30' (9.1m)	20' (6.1m)	20' (6.1m)	15' (4.6m)
44" (1118)	60' (18.3m)	30' (9.1m)	20' (6.1m)	20' (6.1m)	15' (4.6m)
46" (1168)	50' (15.2m)	20' (6.1m)	20' (6.1m)	20' (6.1m)	10' (3.0m)
48" (1219)	50' (15.2m)	20' (6.1m)	20' (6.1m)	20' (6.1m)	10' (3.0m)

CHIMNEY ENVIRONMENT

When a chimney is exposed to a corrosive atmosphere, consideration should be given to the types of materials used in the chimney construction. Chemical vapors, when passed through the combustion process, may produce acids, which can corrode the heating equipment and chimney.

316 stainless steel is more resistant to corrosion than 304 stainless steel. It is recommended that aluminized steel casings, exposed to an atmosphere high in pollutants, be protected with one base coat and one finish coat of heat resistant primer and paint. 304 and 316 stainless steel is also available for flue and casing material and does not require painting.

ENGINE/TURBINE EXHAUSTS

Metal-Fab Metal-Fab product models PSW, PIC, IPIC-1, -2, and -4, are suitable for exhausting gasoline, natural gas/LP, diesel and turbine type engines. Installations comply with NFPA 37, "Standard for Installation and Use of Stationary Combustion Engines and Gas Turbines," when installed in accordance with Metal-Fab Installation Instructions.

Special consideration should be given to engine exhaust systems. There is the possibility of delayed fuel ignition in the exhaust system that may result in an explosion. It is important to protect all changes in direction with additional supports.

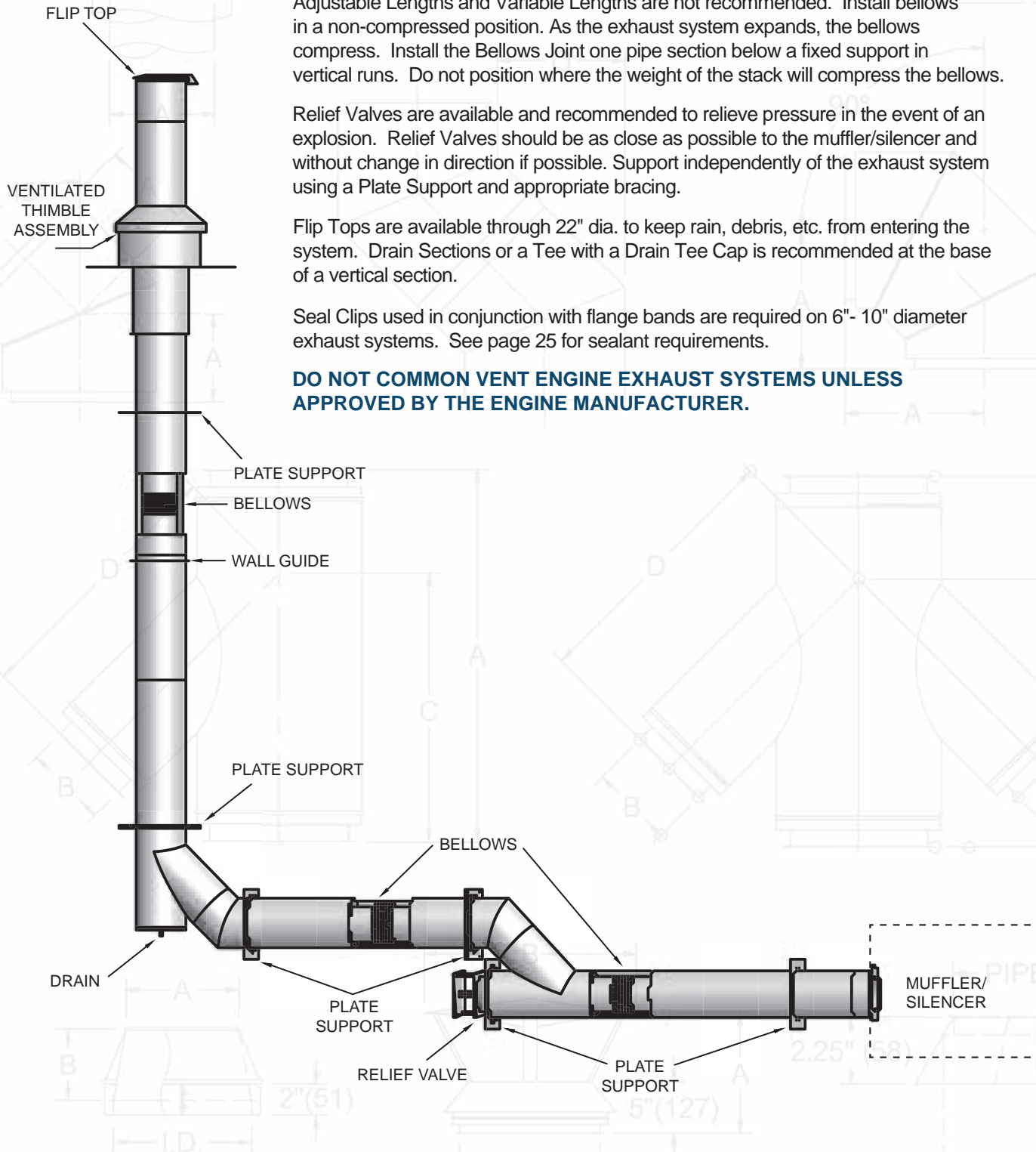
Bellows Joints are recommended for expansion and to minimize vibrations. Adjustable Lengths and Variable Lengths are not recommended. Install bellows in a non-compressed position. As the exhaust system expands, the bellows compress. Install the Bellows Joint one pipe section below a fixed support in vertical runs. Do not position where the weight of the stack will compress the bellows.

Relief Valves are available and recommended to relieve pressure in the event of an explosion. Relief Valves should be as close as possible to the muffler/silencer and without change in direction if possible. Support independently of the exhaust system using a Plate Support and appropriate bracing.

Flip Tops are available through 22" dia. to keep rain, debris, etc. from entering the system. Drain Sections or a Tee with a Drain Tee Cap is recommended at the base of a vertical section.

Seal Clips used in conjunction with flange bands are required on 6" - 10" diameter exhaust systems. See page 25 for sealant requirements.

DO NOT COMMON VENT ENGINE EXHAUST SYSTEMS UNLESS APPROVED BY THE ENGINE MANUFACTURER.



COMPONENTS

Components are identified by part number AND a CTO Code. The part number consists of three sections: first the diameter, second the model designation, and third the component designation. Example: 24 inch diameter, Pressure Industrial Chimney, 42 inch long pipe section = 24PIC42. Several material options are available, and defined by the CTO code. The CTO code consists of three sections: first the flue material, second the casing material, and third the insulation thickness. Example: 304 Stainless Steel flue, Aluminized Steel casing, 0" of insulation (1" air space) = 4A0. See table below.

CTO CODES		
First Position	Second Position	Third Position
(Flue Material)	(Casing Material)	(Insulation)
4 = 304 STAINLESS STEEL	A = ALUMINIZED STEEL	0 = 1" AIR SPACE
6 = 316 STAINLESS STEEL	4 = 304 STAINLESS STEEL	1 = 1" CERAMIC
	6 = 316 STAINLESS STEEL	2 = 2" CERAMIC
		4 = 4" CERAMIC

PIPE LENGTHS

- 9" (229)
- 18" (457)
- 30" (762)
- 42" (1067)

Flow Resistance $K = .4 \left(\frac{L}{I.D.} \right)$ for 6" - 16" diameters

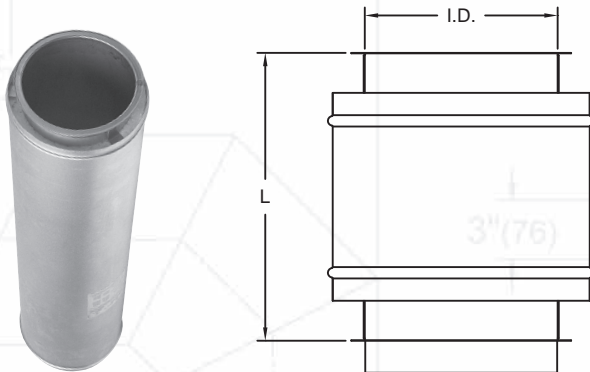
Flow Resistance $K = .3 \left(\frac{L}{I.D.} \right)$ for 18" - 48" diameters

Flow Resistance $K = .25 \left(\frac{L}{I.D.} \right)$ for engine and turbine exhausts,

L = pipe length (feet)

I.D. = pipe diameter (inches)

NOTE: Custom lengths available, please contact factory.



PIPE I.D.	PIPE O.D.		
	PSW	PIC / IPIC-1	IPIC-2
6" (152)	8" (203)	10" (254)	14" (356)
8" (203)	10" (254)	12" (305)	16" (406)
10" (254)	12" (305)	14" (356)	18" (457)
12" (305)	14" (356)	16" (406)	20" (508)
14" (356)	16" (406)	18" (457)	22" (559)
16" (406)	18" (457)	20" (508)	24" (610)
18" (457)	20" (508)	22" (559)	26" (660)
20" (508)	22" (559)	24" (610)	28" (711)
22" (559)	24" (610)	26" (660)	30" (762)
24" (610)	26" (660)	28" (711)	32" (813)
26" (660)	28" (711)	30" (762)	34" (864)
28" (711)	30" (762)	32" (813)	36" (914)
30" (762)	32" (813)	34" (864)	38" (965)
32" (813)	34" (864)	36" (914)	40" (1016)
34" (864)	36" (914)	38" (965)	42" (1067)
36" (914)	38" (965)	40" (1016)	44" (1118)
38" (965)	40" (1016)	42" (1067)	46" (1168)
40" (1016)	42" (1067)	44" (1118)	48" (1219)
42" (1067)	44" (1118)	46" (1168)	50" (1270)
44" (1118)	46" (1168)	48" (1219)	52" (1321)
46" (1168)	48" (1219)	50" (1270)	54" (1372)
48" (1219)	50" (1270)	52" (1321)	56" (1422)

ADJUSTABLE LENGTH EXPANSION JOINT (AL)

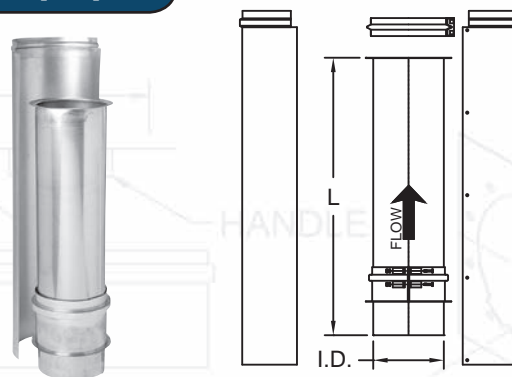
Flow Resistance $K = .4 \left(\frac{L}{I.D.} \right)$

L = pipe length (feet)

Field adjusted to fill gaps between standard length components and compensates for thermal expansion or contraction between two fixed points.

INSTALLED LENGTH

- Minimum: 5.5"
- Maximum: 22"



COMPONENTS

VARIABLE LENGTH (VL)

$$\text{Flow Resistance } K = .4 \left(\frac{L}{\text{I.D.}} \right)^2 \quad 2" (305)$$

L = pipe length (feet)

I.D. = flue diameter (inches)

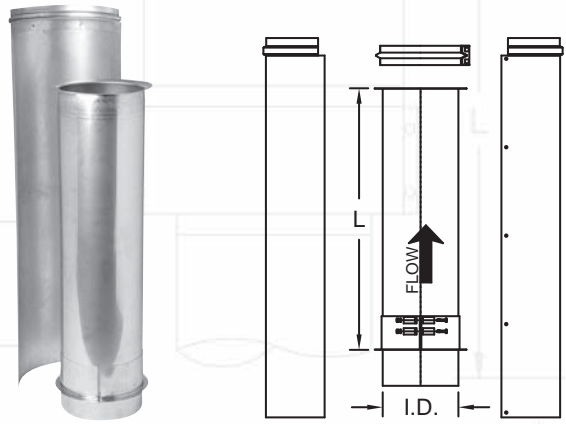
Fills gaps between standard length components.

INSTALLED LENGTH

Minimum: 4"

Maximum: 26"

NOTE: Does not allow for thermal expansion



TAPERED INCREASER (TI)

6" - 36" Diameters

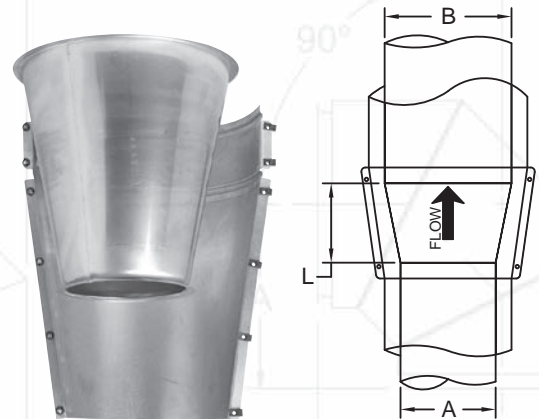
$$\text{Flow Resistance } K = .51 \frac{[1 - (\frac{A}{B})^2]^2}{(\frac{A}{B})^4}$$

Tapered increasers are preferred over step increasers when space permits. Refer to the table below to determine component length. One-step equals 2" increase in flue diameter.

Step	1	2	3	4	5	6
"L" Length	5" (127)	10" (254)	15" (381)	20" (508)	25" (635)	30" (762)

NOTE: When ordering specify both diameters with small diameter first (ie. 18PICI22 for 18" to 22").

NOTE: Please contact factory for larger diameters.



ECCENTRIC TAPERED INCREASER (ETI)

6" - 36" Diameters

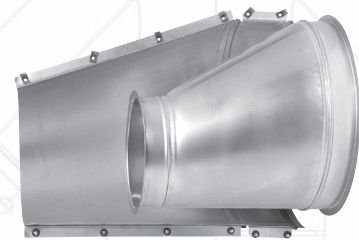
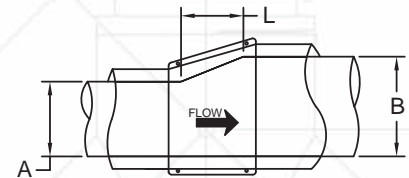
$$\text{Flow Resistance } K = .51 \frac{[1 - (\frac{A}{B})^2]^2}{(\frac{A}{B})^4}$$

Tapered increasers are preferred over step increasers when space permits. Refer to the table below to determine component length. One-step equals 2" increase in flue diameter.

Step	1	2	3	4	5	6
"L" Length	10" (254)	10" (254)	15" (381)	20" (508)	25" (635)	30" (762)

NOTE: When ordering specify both diameters with small diameter first (ie. 18PICETI22 for 18" to 22").

NOTE: Please contact factory for larger diameters.



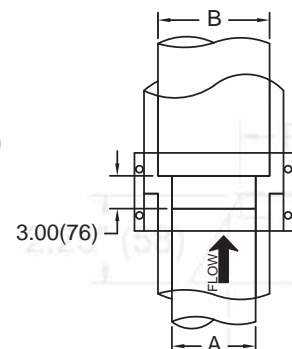
STEP INCREASER (SI)

$$\text{Flow Resistance } K = [1 - (\frac{A}{B})^2]^2 \frac{1}{(\frac{A}{B})^4}$$

LENGTH:

Step Increaser installs at 3",
1-6 steps is standard.

NOTE: When ordering, specify both diameters with small diameter first (ie. 18PICS122 for 18" to 22").



COMPONENTS

15° ELBOW (15L)

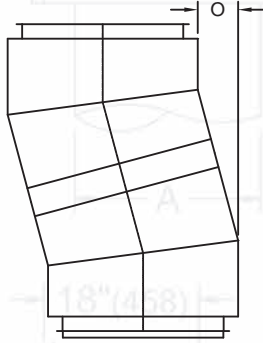
Flow Resistance $K = 0.06$

Offset Distance:

$$O = 2 \times "A" \times 0.259$$

Offset distance with pipe length between elbows:

$$O = (2 \times "A" + \text{pipe length}) \times 0.259$$



PIPE I.D.	A		
	PSW / PIC / IPIC-1	IPIC-2	IPIC-4
6" (152)	6.00" (152)	6.00" (152)	6.00" (152)
8" (203)	6.00" (152)	6.00" (152)	7.75" (197)
10" (254)	6.00" (152)	6.00" (152)	7.75" (197)
12" (305)	6.00" (152)	7.75" (197)	7.75" (197)
14" (356)	7.75" (197)	7.75" (197)	7.75" (197)
16" (406)	7.75" (197)	7.75" (197)	7.75" (197)

PIPE I.D.	A		
	PSW / PIC / IPIC-1	IPIC-2	IPIC-4
18" (457)	7.75" (197)	7.75" (197)	7.75" (197)
20" (508)	7.75" (197)	7.75" (197)	8.50" (216)
22" (559)	7.75" (197)	7.75" (197)	8.50" (216)
24" (610)	7.75" (197)	8.50" (216)	8.50" (216)
26" (660)	8.50" (216)	8.50" (216)	8.50" (216)
28" (711)	8.50" (216)	8.50" (216)	8.50" (216)
30" (762)	8.50" (216)	8.50" (216)	8.50" (216)
32" (813)	8.50" (216)	8.50" (216)	11.00" (279)
34" (864)	8.50" (216)	8.50" (216)	11.00" (279)
36" (914)	8.50" (216)	11.00" (279)	11.00" (279)
38" (965)	11.00" (279)	11.00" (279)	11.00" (279)
40" (1016)	11.00" (279)	11.00" (279)	11.00" (279)
42" (1067)	11.00" (279)	11.00" (279)	11.00" (279)
44" (1118)	11.00" (279)	11.00" (279)	11.00" (279)
46" (1168)	11.00" (279)	11.00" (279)	11.00" (279)
48" (1219)	11.00" (279)	11.00" (279)	11.00" (279)

30° ELBOW (30L)

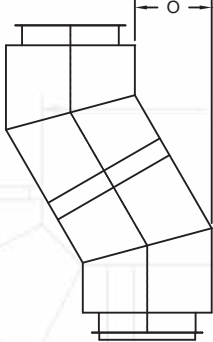
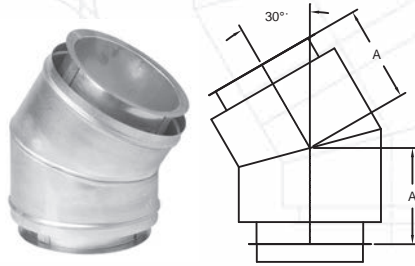
Flow Resistance $K = 0.12$

Offset Distance:

$$O = 2 \times "A" \times 0.5$$

Offset distance with pipe length between elbows:

$$O = (2 \times "A" + \text{pipe length}) \times 0.5$$



PIPE I.D.	A		
	PSW / PIC / IPIC-1	IPIC-2	IPIC-4
6" (152)	6.00" (152)	6.00" (152)	6.00" (152)
8" (203)	6.00" (152)	6.00" (152)	7.75" (197)
10" (254)	6.00" (152)	6.00" (152)	7.75" (197)
12" (305)	6.00" (152)	7.75" (197)	7.75" (197)
14" (356)	7.75" (197)	7.75" (197)	7.75" (197)
16" (406)	7.75" (197)	7.75" (197)	7.75" (197)

PIPE I.D.	A		
	PSW / PIC / IPIC-1	IPIC-2	IPIC-4
18" (457)	7.75" (197)	7.75" (197)	7.75" (197)
20" (508)	7.75" (197)	7.75" (197)	8.50" (216)
22" (559)	7.75" (197)	7.75" (197)	8.50" (216)
24" (610)	7.75" (197)	8.50" (216)	8.50" (216)
26" (660)	8.50" (216)	8.50" (216)	8.50" (216)
28" (711)	8.50" (216)	8.50" (216)	8.50" (216)
30" (762)	8.50" (216)	8.50" (216)	8.50" (216)
32" (813)	8.50" (216)	8.50" (216)	11.00" (279)
34" (864)	8.50" (216)	8.50" (216)	11.00" (279)
36" (914)	8.50" (216)	11.00" (279)	11.00" (279)
38" (965)	11.00" (279)	11.00" (279)	11.00" (279)
40" (1016)	11.00" (279)	11.00" (279)	11.00" (279)
42" (1067)	11.00" (279)	11.00" (279)	11.00" (279)
44" (1118)	11.00" (279)	11.00" (279)	11.00" (279)
46" (1168)	11.00" (279)	11.00" (279)	11.00" (279)
48" (1219)	11.00" (279)	11.00" (279)	11.00" (279)

45° ELBOW (45L)

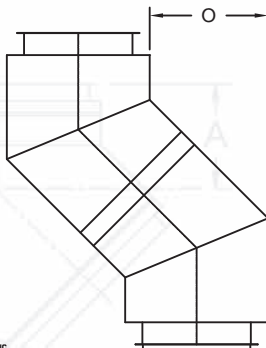
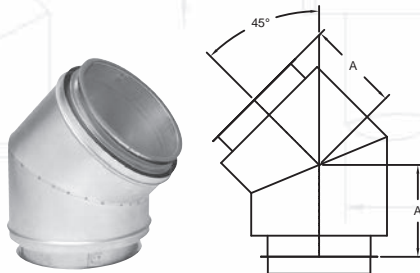
Flow Resistance $K = 0.15$

Offset Distance:

$$O = 2 \times "A" \times 0.707$$

Offset distance with pipe length between elbows:

$$O = (2 \times "A" + \text{pipe length}) \times 0.707$$



PIPE I.D.	A		
	PSW / PIC / IPIC-1	IPIC-2	IPIC-4
6" (152)	7.00" (178)	7.00" (178)	7.00" (178)
8" (203)	7.00" (178)	7.00" (178)	10.00" (254)
10" (254)	7.00" (178)	7.00" (178)	10.25" (260)
12" (305)	7.00" (178)	10.00" (254)	10.25" (260)
14" (356)	10.00" (254)	10.25" (260)	10.25" (260)
16" (406)	10.25" (260)	10.25" (260)	10.25" (260)

PIPE I.D.	A		
	PSW / PIC / IPIC-1	IPIC-2	IPIC-4
18" (457)	10.25" (260)	10.25" (260)	10.25" (260)
20" (508)	10.25" (260)	10.25" (260)	11.75" (298)
22" (559)	10.25" (260)	10.25" (260)	11.75" (298)
24" (610)	10.25" (260)	11.75" (298)	11.75" (298)
26" (660)	11.75" (298)	11.75" (298)	11.75" (298)
28" (711)	11.75" (298)	11.75" (298)	11.75" (298)
30" (762)	11.75" (298)	11.75" (298)	11.75" (298)
32" (813)	11.75" (298)	11.75" (298)	14.00" (356)
34" (864)	11.75" (298)	11.75" (298)	14.00" (356)
36" (914)	11.75" (298)	14.00" (356)	14.00" (356)
38" (965)	14.00" (356)	14.00" (356)	14.00" (356)
40" (1016)	14.00" (356)	14.00" (356)	14.00" (356)
42" (1067)	14.00" (356)	14.00" (356)	14.00" (356)
44" (1118)	14.00" (356)	14.00" (356)	15.25" (387)
46" (1168)	14.00" (356)	14.00" (356)	15.25" (387)
48" (1219)	14.00" (356)	15.25" (387)	15.25" (387)

COMPONENTS

90° ELBOW (90L)

Flow Resistance K:

6" - 8" = 0.38

10" - 18" = 0.42

20" - 26" = 0.54

28" - 36" = 0.66

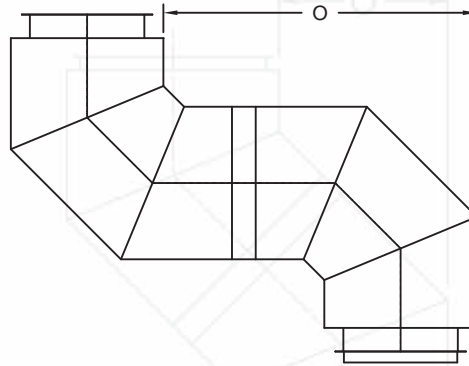
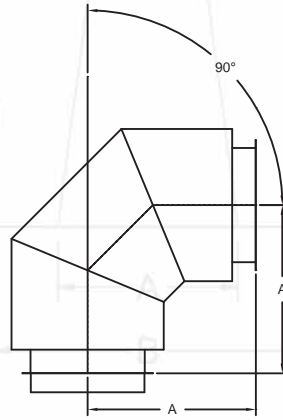
38" - 48" = 0.72

Offset Distance:

$O = 2 \times "A"$

Offset Distance with pipe length between elbows:

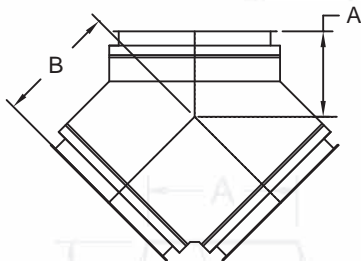
$O = 2 \times "A" + \text{pipe length}$



PIPE I.D.	A		
	PSW / PIC / IPIC-1	IPIC-2	IPIC-4
6" (152)	11" (279)	12" (305)	14" (356)
8" (203)	12" (305)	13" (330)	15" (381)
10" (254)	13" (330)	14" (356)	16" (406)
12" (305)	14" (356)	15" (381)	17" (432)
14" (356)	15" (381)	16" (406)	18" (457)
16" (406)	16" (406)	17" (432)	19" (483)
18" (457)	17" (432)	18" (457)	20" (508)
20" (508)	18" (457)	19" (483)	21" (533)
22" (559)	19" (483)	20" (508)	22" (559)
24" (610)	20" (508)	21" (533)	23" (584)
26" (660)	21" (533)	22" (559)	24" (610)
28" (711)	22" (559)	23" (584)	25" (635)
30" (762)	23" (584)	24" (610)	26" (660)
32" (813)	24" (610)	25" (635)	27" (686)
34" (864)	25" (635)	26" (660)	28" (711)
36" (914)	26" (660)	27" (686)	29" (737)
38" (965)	27" (686)	28" (711)	30" (762)
40" (1016)	28" (711)	29" (737)	31" (787)
42" (1067)	29" (737)	30" (762)	32" (813)
44" (1118)	30" (762)	31" (787)	33" (838)
46" (1168)	31" (787)	32" (813)	34" (864)
48" (1219)	32" (813)	33" (838)	35" (889)

90° WYE (90Y)

Flow Resistance K = 0.6



PIPE I.D.	PSW / PIC / 1G		IPIC-2		IPIC-4	
	A	B	A	B	A	B
6" (152)	5.12" (130)	9" (229)	5.62" (143)	10" (254)	6.50" (165)	12" (305)
8" (203)	5.62" (143)	10" (254)	6.00" (152)	11" (279)	7.00" (178)	13" (330)
10" (254)	6.00" (152)	11" (279)	6.50" (165)	12" (305)	7.25" (184)	14" (356)
12" (305)	6.50" (165)	12" (305)	7.00" (178)	13" (330)	7.75" (197)	15" (381)
14" (356)	7.00" (178)	13" (330)	7.25" (184)	14" (356)	8.12" (206)	16" (406)
16" (406)	7.25" (184)	14" (356)	7.75" (197)	15" (381)	8.50" (216)	17" (432)
18" (457)	7.75" (197)	15" (381)	8.12" (206)	16" (406)	9.00" (229)	18" (457)
20" (508)	8.12" (206)	16" (406)	8.50" (216)	17" (432)	9.37" (238)	19" (483)
22" (559)	8.50" (216)	17" (432)	9.00" (229)	18" (457)	9.75" (248)	20" (508)
24" (610)	9.00" (229)	18" (457)	9.37" (238)	19" (483)	10.25" (260)	21" (533)
26" (660)	9.37" (238)	19" (483)	9.75" (248)	20" (508)	10.62" (270)	22" (559)
28" (711)	9.75" (248)	20" (508)	10.25" (260)	21" (533)	11.12" (282)	23" (584)
30" (762)	10.25" (260)	21" (533)	10.62" (270)	22" (559)	11.50" (292)	24" (610)
32" (813)	10.62" (270)	22" (559)	11.12" (282)	23" (584)	11.87" (302)	25" (635)
34" (864)	11.12" (282)	23" (584)	11.50" (292)	24" (610)	12.25" (311)	26" (660)
36" (914)	11.50" (292)	24" (610)	11.87" (302)	25" (635)	12.62" (321)	27" (686)

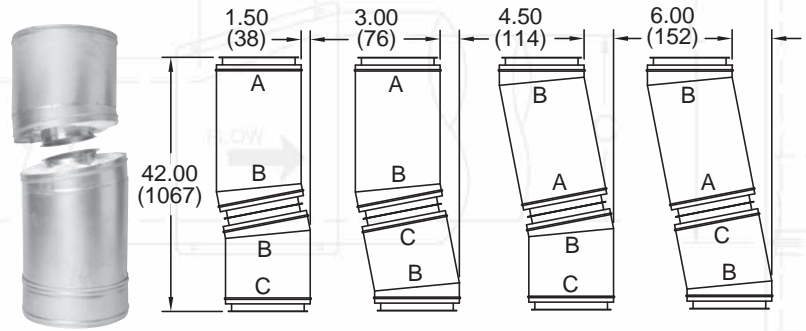
COMPONENTS

VARIABLE OFFSET KIT (VOK)

Flow Resistance $K = 0.09$
 Assembled Length = 42"

ENDS JOINED	OFFSET
B-B	1.50"
B-C	3.00"
A-B	4.50"
A-C	6.00"

Provides offsets of 1.5", 3.0", 4.5", & 6" by rotating components.

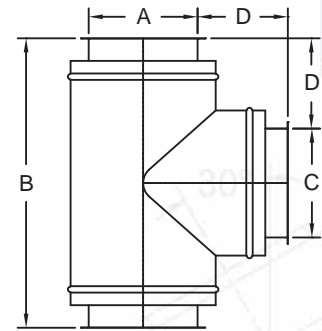


90° MANIFOLD TEE (90MT)

Flow Resistance $K = 1.25$

- A = Pipe I.D.
- B = "C" I.D. + (2 x "D")
- C = Tap I.D.
- D = PSW/PIC/IPIC-1 = 5"
- IPIC-2 = 6"
- IPIC-4 = 8"

NOTE: Specify tap diameter (C) at time of order.
NOTE: Tap can be reduced by 1-4 steps as standard.



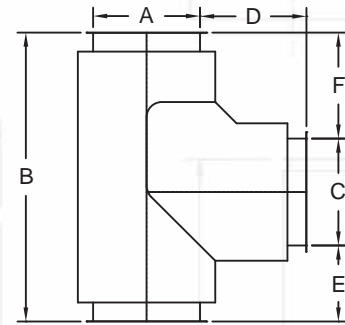
BOOT TEE (BT)

6" - 30" Diameters

Flow Resistance $K = 0.65$

- A = Pipe I.D.
- B = "C" + 10" + (2 x insulation thickness)
- C = Tap I.D.
- D, E, F =
- PSW/PIC/IPIC-1 = 6", 5" & 7"
- IPIC-2 = 7", 6" & 8"
- IPIC-4 = 9", 8" & 10"

NOTE: Specify tap diameter (C) at time of order
NOTE: Tap can be reduced by 1-4 steps as standard.

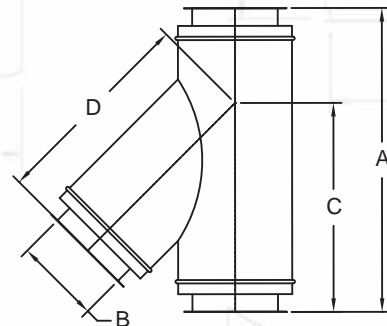


45° MANIFOLD TEE (45MT)

Flow Resistance $K = 0.4$

For low resistance flow into a vertical or horizontal run.

NOTE: Specify tap diameter (B) when ordering.
NOTE: Tap can be reduced by 1-4 steps as standard.
NOTE: For dimensional information see tables on pages 26-31.



COMPONENTS

DOUBLE LATERAL (DL)

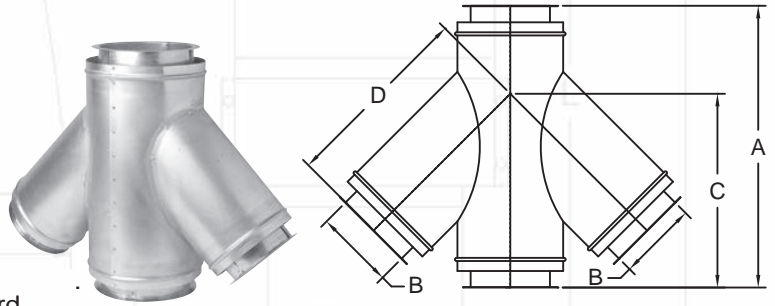
Flow Resistance K = 0.4

For use when centrally connecting two appliances being manifolded into a common chimney.

NOTE: Specify tap diameter (B) when ordering, tap diameter must be less than body diameter.

NOTE: For dimensional information see tables on pages 26-31.

NOTE: Tap can be reduced by 1-4 steps as standard.



DRAIN TEE CAP W/CASING END CLOSURE (TC)

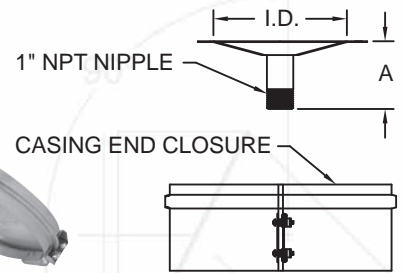
Provides drain port for rain or condensation.

NOTE: To compute length:

$$A = \frac{(I.D. - 1.343)}{2} \times .268 + \text{Nipple Length}$$

Add 3" for Nipple on PSW/PIC/IPIC-1/IPIC-2

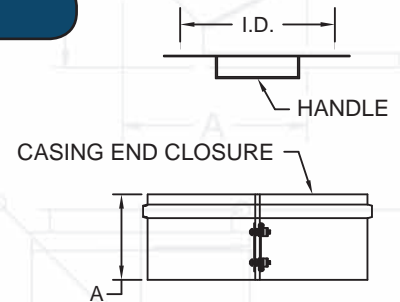
Add 5" for Nipple on IPIC-4



TEE CAP LESS DRAIN W/ CASING END CLOSURE (TCN)

Closes and seals unused port of Tees, Wyes, and Laterals.

NOTE: A = 5.375" PIC/IPIC-1
6.375" IPIC-2
8.375" IPIC-4



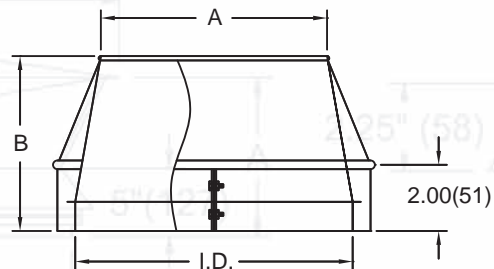
EXIT CONE (EC)

Flow resistance K = 1.25

Increases velocity of exiting flue gases. Provide for moisture removal with Tee Cap or Drain Section.



PIPE I.D.	A	B	PIPE I.D.	A	B
6" (152)	4.87" (124)	2.25" (57)	28" (711)	22.87" (581)	10.25" (260)
8" (203)	6.50" (165)	3.00" (76)	30" (762)	24.75" (629)	11.00" (279)
10" (254)	8.12" (206)	3.75" (95)	32" (813)	26.37" (670)	11.75" (298)
12" (305)	9.75" (248)	4.37" (111)	34" (864)	28.00" (711)	12.12" (308)
14" (356)	11.37" (289)	5.12" (130)	36" (914)	29.62" (752)	13.12" (333)
16" (406)	13.00" (330)	5.87" (149)	38" (965)	30.87" (784)	14.25" (362)
18" (457)	14.75" (375)	6.62" (168)	40" (1016)	32.50" (826)	15.00" (381)
20" (508)	16.37" (416)	7.37" (187)	42" (1067)	34.12" (867)	15.75" (400)
22" (559)	17.87" (454)	8.12" (206)	44" (1118)	35.75" (908)	16.50" (419)
24" (610)	19.62" (498)	8.87" (225)	46" (1168)	37.37" (949)	17.25" (438)
26" (660)	21.12" (536)	9.50" (241)	48" (1219)	39.00" (991)	18.00" (457)



COMPONENTS

STACK CAP (C/CB)

6" - 36" Diameters

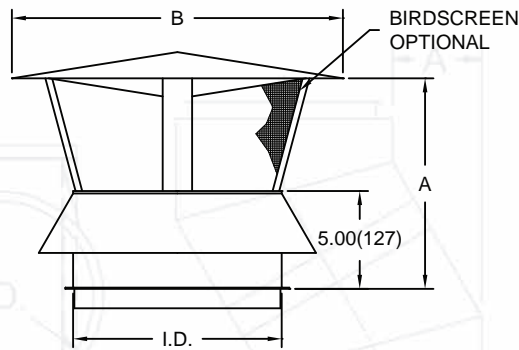
Flow resistance $K = 0.5$

Provides partial rain protection.
Use of Tee Cap or Drain Section is recommended.

NOTE: Also available with bird screen; order as (CB).



PIPE I.D.	A	B	PIPE I.D.	A	B
6" (152)	8.00" (203)	11.00" (279)	22" (559)	20.00" (508)	38.00" (965)
8" (203)	10.00" (254)	14.00" (356)	24" (610)	22.00" (559)	41.00" (1041)
10" (254)	12.00" (305)	17.00" (432)	26" (660)	23.00" (584)	44.00" (1118)
12" (305)	13.00" (330)	21.00" (533)	28" (711)	25.00" (635)	48.00" (1219)
14" (356)	14.00" (356)	24.00" (610)	30" (762)	27.00" (686)	52.00" (1321)
16" (406)	16.00" (406)	28.00" (711)	32" (813)	28.00" (711)	56.00" (1422)
18" (457)	17.00" (432)	31.00" (787)	34" (864)	30.00" (762)	60.00" (1524)
20" (508)	19.00" (483)	34.00" (864)	36" (914)	31.00" (787)	64.00" (1626)

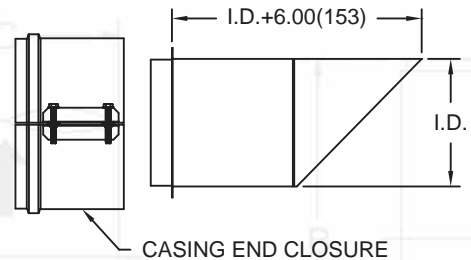
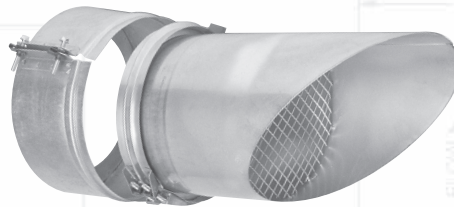


MITER CUT (MC)

6" - 36" Diameters

Horizontal termination;
standard with bird screen.

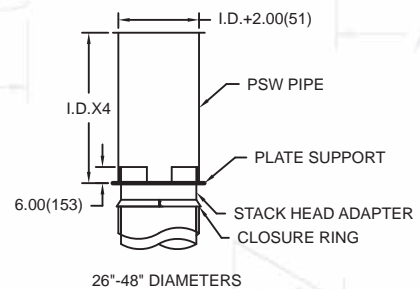
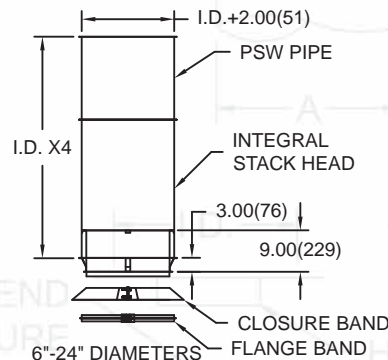
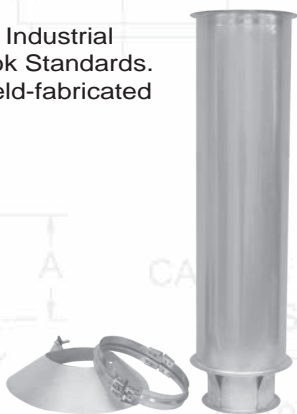
NOTE: Please contact factory for larger diameters.



STACK HEAD ASSEMBLY (SHA)

Low loss stack termination to reduce rain entry.

NOTE: Conforms to Industrial Ventilation Handbook Standards. 26" - 48" requires field-fabricated support.



COMPONENTS

VENTILATED THIMBLE ASSEMBLIES (VTA-FPVTA) ROOF SUPPORT ASSEMBLIES (RSA-FPRSA)

STORM COLLAR



SUPPORT COLLAR (RSA ONLY)



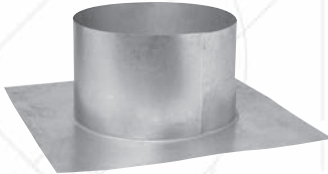
LATERAL SPACER RING



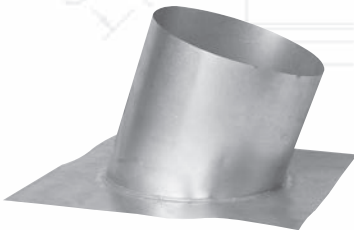
THIMBLE



FLASHING



FIXED PITCH FLASHING



For use when pipe passes through a combustible roof structure to reduce clearance to combustibles. The VTA allows for pipe expansion and contraction through the roof. The RSA will support up to 30 ft. of pipe from the roof structure.

Framing Dimensions:

- PIC/IPIC-1: I.D. + 8"
- IPIC-2: I.D. + 10"
- IPIC-4: I.D. + 14"

NOTES:

1. Thimble for flat roof extends 9" into flashing.
2. Use VTA / RSA on flat to 1/12 pitch applications.
3. Use FPVTA / FPRSA on 1/12 - 12/12 pitch applications.
4. Specify pitch when ordering

MAXIMUM PITCH FOR FPVTA & FPRSA (28" LENGTH THIMBLE)

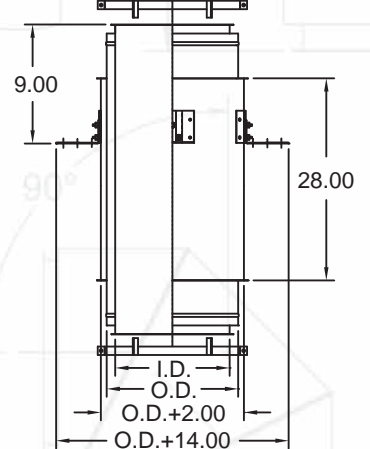
	PIC	IPIC 4A1	IPIC 4A2	IPIC 4A4
6PICFPVTA & RSA	12/12	12/12	12/12	11/12
8PICFPVTA & RSA	12/12	12/12	12/12	10/12
10PICFPVTA & RSA	12/12	12/12	11/12	9/12
12PICFPVTA & RSA	11/12	11/12	10/12	9/12
14PICFPVTA & RSA	10/12	10/12	9/12	8/12
16PICFPVTA & RSA	9/12	9/12	9/12	8/12
18PICFPVTA & RSA	9/12	9/12	8/12	7/12
20PICFPVTA & RSA	8/12	8/12	8/12	7/12
22PICFPVTA & RSA	8/12	8/12	7/12	7/12
24PICFPVTA & RSA	7/12	7/12	7/12	6/12
26PICFPVTA & RSA	7/12	7/12	7/12	6/12
28PICFPVTA & RSA	7/12	7/12	6/12	6/12
30PICFPVTA & RSA	6/12	6/12	6/12	5/12
32PICFPVTA & RSA	6/12	6/12	6/12	5/12
34PICFPVTA & RSA	6/12	6/12	5/12	5/12
36PICFPVTA & RSA	5/12	5/12	5/12	5/12

NOTE: For pitches not listed, please contact factory.

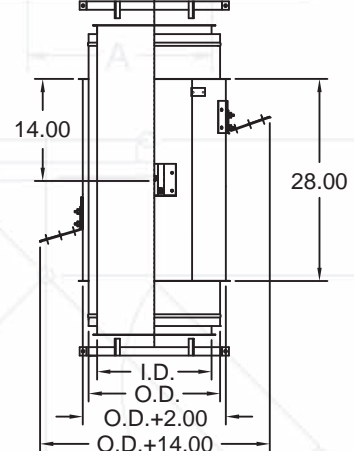
STORM COLLAR



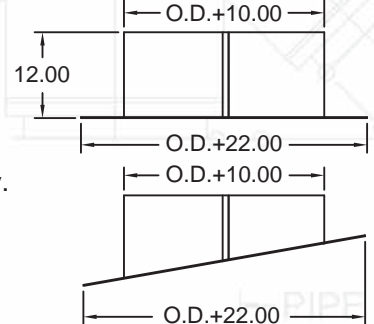
VTA/RSA



FPVTA/FPRSA



FLASHINGS

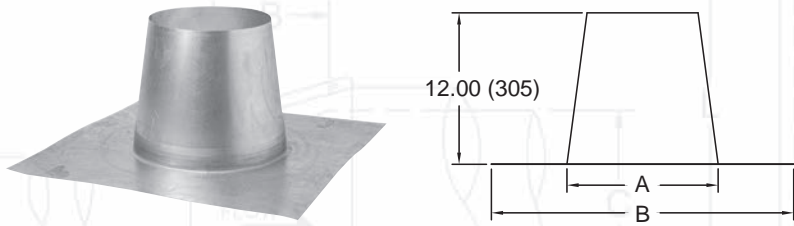


2.25" (58)

COMPONENTS

TALL CONE FLASHING (F)

Flat roof applications.



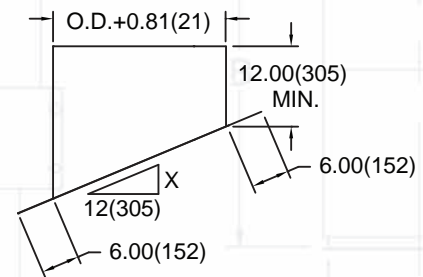
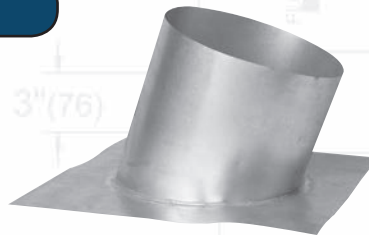
PIPE I.D.	PSW		PIC / IPIC-1		IPIC-2		IPIC-4	
	A	B	A	B	A	B	A	B
6" (152)	10.00" (254)	22.00" (559)	12.00" (305)	24.00" (610)	14.00" (356)	26.00" (660)	18.00" (457)	30.00" (762)
8" (203)	12.00" (305)	24.00" (610)	14.00" (356)	26.00" (660)	16.00" (406)	28.00" (711)	20.00" (508)	32.00" (813)
10" (254)	14.00" (356)	26.00" (660)	16.00" (406)	28.00" (711)	18.00" (457)	30.00" (762)	22.00" (559)	34.00" (864)
12" (305)	16.00" (406)	28.00" (711)	18.00" (457)	30.00" (762)	20.00" (508)	32.00" (813)	24.00" (610)	36.00" (914)
14" (356)	18.00" (457)	30.00" (762)	20.00" (508)	32.00" (813)	22.00" (559)	34.00" (864)	26.00" (660)	38.00" (965)
16" (406)	20.00" (508)	32.00" (813)	22.00" (559)	34.00" (864)	24.00" (610)	36.00" (914)	28.00" (711)	40.00" (1016)
18" (457)	22.00" (559)	34.00" (864)	24.00" (610)	36.00" (914)	26.00" (660)	38.00" (965)	30.00" (762)	42.00" (1067)
20" (508)	24.00" (610)	36.00" (914)	26.00" (660)	38.00" (965)	28.00" (711)	40.00" (1016)	32.00" (813)	44.00" (1118)
22" (559)	26.00" (660)	38.00" (965)	28.00" (711)	40.00" (1016)	30.00" (762)	42.00" (1067)	34.00" (864)	46.00" (1168)
24" (610)	28.00" (711)	40.00" (1016)	30.00" (762)	42.00" (1067)	32.00" (813)	44.00" (1118)	36.00" (914)	48.00" (1219)
26" (660)	30.00" (762)	42.00" (1067)	32.00" (813)	44.00" (1118)	34.00" (864)	46.00" (1168)	38.00" (965)	50.00" (1270)
28" (711)	32.00" (813)	44.00" (1118)	34.00" (864)	46.00" (1168)	36.00" (914)	48.00" (1219)	40.00" (1016)	52.00" (1321)
30" (762)	34.00" (864)	46.00" (1168)	36.00" (914)	48.00" (1219)	38.00" (965)	50.00" (1270)	42.00" (1067)	54.00" (1372)
32" (813)	36.00" (914)	48.00" (1219)	38.00" (965)	50.00" (1270)	40.00" (1016)	52.00" (1321)	44.00" (1118)	56.00" (1422)
34" (864)	38.00" (965)	50.00" (1270)	40.00" (1016)	52.00" (1321)	42.00" (1067)	54.00" (1372)	46.00" (1168)	58.00" (1473)
36" (914)	40.00" (1016)	52.00" (1321)	42.00" (1067)	54.00" (1372)	44.00" (1118)	56.00" (1422)	48.00" (1219)	60.00" (1524)
38" (965)	42.00" (1067)	54.00" (1372)	44.00" (1118)	56.00" (1422)	46.00" (1168)	58.00" (1473)	50.00" (1270)	62.00" (1575)
40" (1016)	44.00" (1118)	56.00" (1422)	46.00" (1168)	58.00" (1473)	48.00" (1219)	60.00" (1524)	52.00" (1321)	64.00" (1626)
42" (1067)	46.00" (1168)	58.00" (1473)	48.00" (1219)	60.00" (1524)	50.00" (1270)	62.00" (1575)	54.00" (1372)	66.00" (1676)
44" (1118)	48.00" (1219)	60.00" (1524)	50.00" (1270)	62.00" (1575)	52.00" (1321)	64.00" (1626)	56.00" (1422)	68.00" (1727)
46" (1168)	50.00" (1270)	62.00" (1575)	52.00" (1321)	64.00" (1626)	54.00" (1372)	66.00" (1676)	58.00" (1473)	70.00" (1778)
48" (1219)	52.00" (1321)	64.00" (1626)	54.00" (1372)	66.00" (1676)	56.00" (1422)	68.00" (1727)	60.00" (1524)	72.00" (1829)

FIXED PITCH FLASHING (FPF)

6" - 36" Diameters

NOTES:

1. $X = \text{Pitch} \left(\frac{\text{Rise}}{\text{Run}} \right)$; Available in 1/12 - 12/12
2. Please specify pitch when ordering.
3. Storm Collar is included with Flashing.

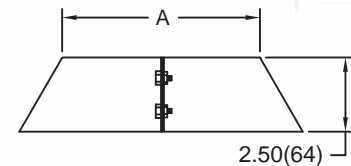


STACK CLOSURE RING (CR)

A = Pipe Diameter (I.D.)

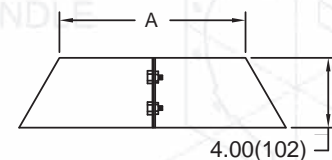
Attaches to flue and shields insulation from the weather when open stack is desired.

NOTE: Provide a Tee Cap or Drain Section for moisture removal.



STORM COLLAR (SC)

A = Pipe Diameter (O.D.)



COMPONENTS

FULL ANGLE RING (FAR)

Provides lateral support for vertical runs. (Zinc Plated)

NOTE: Allows pipe movement for thermal expansion.

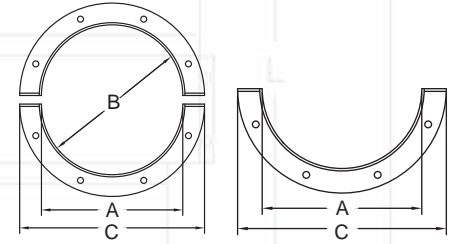
HALF ANGLE RING (HAR)

Provides support for horizontal runs. (Zinc Plated)



FULL ANGLE RING

HALF ANGLE RING



PRODUCT				DIMENSIONS			
PIPE I.D.				Inside	Hole Centerline	Outside	Hole Qty.
PSW	PIC/IPIC	IPIC-2	IPIC-4	A	B	C	D
6" (152)	-	-	-	6.12" (155)	7.50" (191)	8.62" (219)	8
8" (203)	6" (152)	-	-	8.12" (206)	9.50" (241)	10.62" (270)	8
10" (254)	8" (203)	6" (152)	-	10.19" (259)	11.56" (294)	12.69" (322)	8
12" (305)	10" (254)	8" (203)	-	12.19" (310)	13.81" (351)	15.19" (386)	12
14" (356)	12" (305)	10" (254)	6" (152)	14.19" (360)	15.81" (402)	17.19" (437)	12
16" (406)	14" (356)	12" (305)	8" (203)	16.25" (413)	18.12" (460)	19.75" (502)	16
18" (457)	16" (406)	14" (356)	10" (254)	18.25" (464)	20.12" (511)	21.75" (552)	16
20" (508)	18" (457)	16" (406)	12" (305)	20.25" (514)	22.12" (562)	23.75" (603)	20
22" (559)	20" (508)	18" (457)	14" (356)	22.25" (565)	24.12" (613)	25.75" (654)	20
24" (610)	22" (559)	20" (508)	16" (406)	24.25" (616)	26.12" (663)	27.75" (705)	20
26" (660)	24" (610)	22" (559)	18" (457)	26.25" (667)	28.50" (724)	30.25" (768)	24
28" (711)	26" (660)	24" (610)	20" (508)	28.25" (718)	30.50" (775)	32.25" (819)	24
30" (762)	28" (711)	26" (660)	22" (559)	30.25" (768)	32.50" (826)	34.25" (870)	28
32" (813)	30" (762)	28" (711)	24" (610)	32.25" (819)	34.50" (876)	36.25" (921)	28
34" (864)	32" (813)	30" (762)	26" (660)	34.25" (870)	36.50" (927)	38.25" (972)	32
36" (914)	34" (864)	32" (813)	28" (711)	36.25" (921)	38.50" (978)	40.25" (1022)	32
38" (965)	36" (914)	34" (864)	30" (762)	38.25" (972)	40.50" (1029)	42.25" (1073)	36
40" (1016)	38" (965)	36" (914)	32" (813)	40.25" (1022)	42.50" (1080)	44.25" (1124)	36
42" (1067)	40" (1016)	38" (965)	34" (864)	42.25" (1073)	44.50" (1130)	46.25" (1175)	40
44" (1118)	42" (1067)	40" (1016)	36" (914)	44.25" (1124)	46.50" (1181)	48.25" (1226)	40
46" (1168)	44" (1118)	42" (1067)	38" (965)	46.25" (1175)	48.50" (1232)	50.25" (1276)	44
48" (1219)	46" (1168)	44" (1118)	40" (1016)	48.25" (1226)	50.50" (1283)	52.25" (1327)	44
-	48" (1219)	46" (1168)	42" (1067)	50.25" (1276)	52.50" (1334)	54.25" (1378)	48
-	-	48" (1219)	44" (1118)	52.25" (1327)	54.50" (1384)	56.25" (1429)	48
-	-	-	46" (1168)	54.25" (1378)	56.50" (1435)	58.25" (1480)	48
-	-	-	48" (1219)	56.25" (1429)	58.50" (1486)	60.25" (1530)	50

WALL PENETRATOR (WP)

Horizontal wall penetration designed for non-fire rated walls. (Zinc Plated)

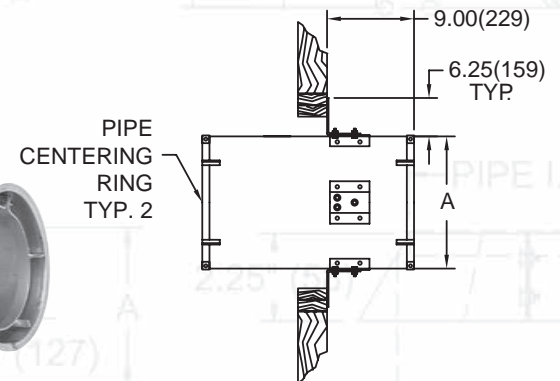
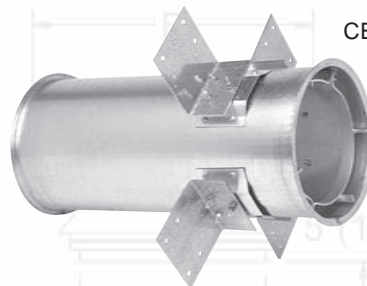
LENGTH = 30"

PIC/IPIC-1: A=PIPE I.D.+ 4"

IPIC-2: A=PIPE I.D.+ 6"

IPIC-4: A=PIPE I.D.+10"

NOTE: Not available for PSW.

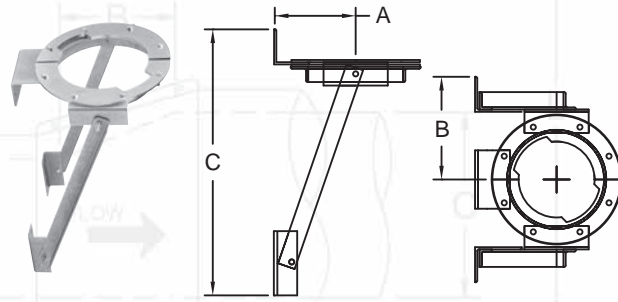


COMPONENTS

WALL SUPPORT ASSEMBLY (WSA)

Provides vertical rigid support

NOTE: Does not allow pipe movement for thermal expansion. (Zinc Plated)



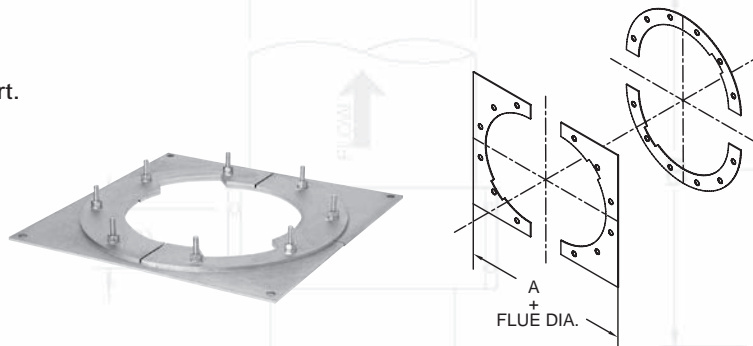
PIPE I.D.	PSW / PIC / IPIC-1			IPIC-2			IPIC-4		
	A	B	C	A	B	C	A	B	C
6" (152)	7.87" (200)	7.25" (184)	26.25" (667)	8.87" (225)	8.12" (206)	26.00" (660)	11.12" (282)	10.50" (267)	29.00" (737)
8" (203)	8.87" (225)	8.12" (206)	26.00" (660)	10.12" (257)	9.50" (241)	29.50" (749)	12.37" (314)	11.75" (298)	28.50" (724)
10" (254)	10.12" (257)	9.50" (241)	29.50" (749)	11.12" (282)	10.50" (267)	29.00" (737)	13.37" (340)	12.75" (324)	31.25" (794)
12" (305)	11.12" (282)	10.50" (267)	29.00" (737)	12.37" (314)	11.75" (298)	28.50" (724)	14.37" (365)	13.75" (349)	30.75" (781)
14" (356)	12.37" (314)	11.75" (298)	28.50" (724)	13.37" (340)	12.75" (324)	31.25" (794)	15.37" (390)	14.75" (375)	34.75" (883)
16" (406)	13.37" (340)	12.75" (324)	31.25" (794)	14.37" (365)	13.75" (349)	30.75" (781)	16.37" (416)	15.75" (400)	34.25" (870)
18" (457)	14.37" (365)	13.75" (349)	30.75" (781)	15.37" (390)	14.75" (375)	34.75" (883)	17.62" (448)	17.00" (432)	33.75" (857)
20" (508)	15.37" (390)	14.75" (375)	34.75" (883)	16.37" (416)	15.75" (400)	34.25" (870)	18.62" (473)	18.00" (457)	38.75" (984)
22" (559)	16.37" (416)	15.75" (400)	34.25" (870)	17.62" (448)	17.00" (432)	33.75" (857)	19.62" (498)	19.00" (483)	38.25" (972)
24" (610)	17.62" (448)	17.00" (432)	33.75" (857)	18.62" (473)	18.00" (457)	38.75" (984)	20.62" (524)	20.00" (508)	37.75" (959)
26" (660)	18.62" (473)	18.00" (457)	38.75" (984)	19.62" (498)	19.00" (483)	38.25" (972)	21.62" (549)	21.00" (533)	45.25" (1149)
28" (711)	19.62" (498)	19.00" (483)	38.25" (972)	20.62" (524)	20.00" (508)	37.75" (959)	23.12" (587)	22.50" (572)	44.75" (1137)
30" (762)	20.62" (524)	20.00" (508)	37.75" (959)	21.62" (549)	21.00" (533)	45.25" (1149)	24.12" (613)	23.50" (597)	44.00" (1118)
32" (813)	21.62" (549)	21.00" (533)	45.25" (1149)	23.12" (587)	22.50" (572)	44.75" (1137)	25.12" (638)	24.50" (622)	53.75" (1365)
34" (864)	23.12" (587)	22.50" (572)	44.75" (1137)	24.12" (613)	23.50" (597)	44.00" (1118)	26.12" (663)	25.50" (648)	53.25" (1353)
36" (914)	24.12" (613)	23.50" (597)	44.00" (1118)	25.12" (638)	24.50" (622)	53.75" (1365)	27.12" (689)	26.50" (673)	52.75" (1340)

PLATE SUPPORT (PS)

Provides vertical or horizontal rigid support. Includes split plates (Zinc Plated), clamp flanges, and 1/2 closure bands.

PSW/PIC/IPIC-1 A=6"
 IPIC-2 A=8"
 IPIC-4 A=12"

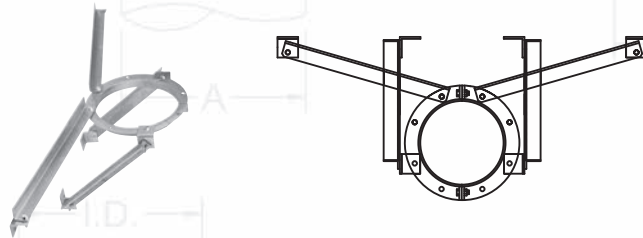
NOTE: Does not allow pipe movement for thermal expansion.



WALL GUIDE (WG)

Provides lateral support. (Zinc Plated)

NOTE: Allows pipe movement for thermal expansion.



FLOOR GUIDE (FG)

For use at each floor to ensure correct alignment through floor opening. (Zinc Plated)



COMPONENTS

STACK SUPPORT ASSEMBLY (SSA)

Supports vertical stack at floor level; includes moisture drain.

PSW / PIC / IPIC-1 / IPIC-2 / IPIC-4

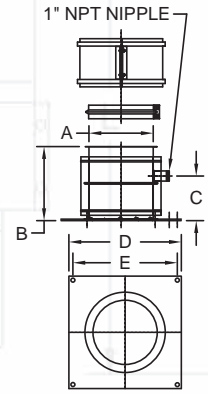
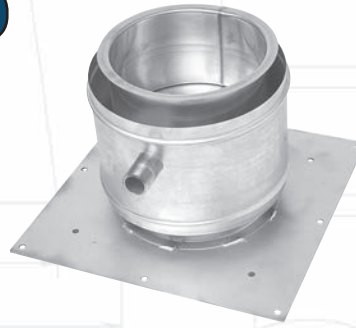
A = PIPE I.D.

B = 9" (229)

C = 5.5" (140)

D = A+7" (178)

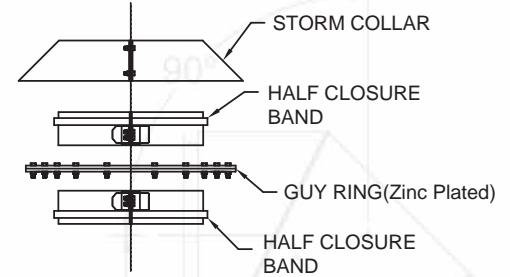
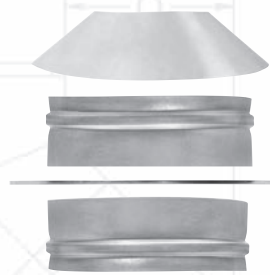
E = A+6" (152)



GUY RING (GR)

Installed at the flange to flange joint of two sections of pipe. Storm Collar and half closure bands are included.

NOTE: See installation instructions for correct location.

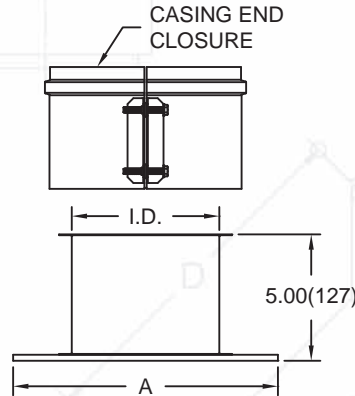


FLANGE ADAPTER (FA)

6" - 36" Diameters

Flow Resistance K= same as pipe

Attaches flue components incorporating flanged connections, i.e. engine exhaust, mufflers, etc. Includes Casing End Closure.



PIPE I.D.	A
6" (152)	11.00" (279)
8" (203)	13.50" (343)
10" (254)	16.00" (406)
12" (305)	19.00" (483)
14" (356)	21.00" (533)
16" (406)	23.50" (597)
18" (457)	25.00" (635)
20" (508)	27.50" (699)
22" (559)	29.50" (749)
24" (610)	32.00" (813)
30" (762)	38.75" (984)
36" (914)	46.00" (1168)

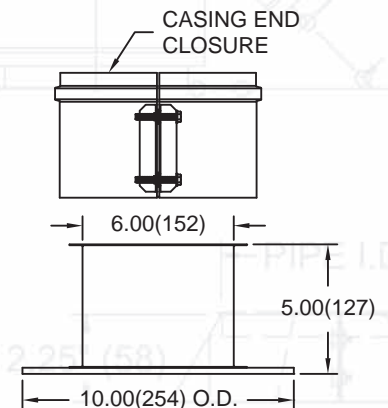
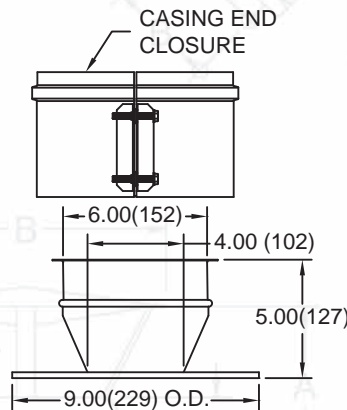
NOTE: Bolt hole pattern, and hole quantity per 125 lb. ANSI.

FLANGE ADAPTER (4FA & 5FA)

6" Diameter Only

Flow Resistance K= same as pipe

Attaches flue components incorporating flanged connections, i.e. engine exhaust, mufflers, etc. Includes Casing End Closure.



NOTE: Bolt hole pattern, and hole quantity per 125 lb. ANSI.

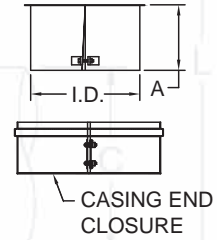
COMPONENTS

SINGLE WALL BOILER ADAPTER (SBA/SBA4)

Flow Resistance K= same as pipe
Attaches pipe to straight collar outlets.
PIC and IPIC applications include Casing End Closure.

A = 6" or 4" (opt.), specify when ordering
e.g. 6PICSBA - A=6" or 6PICSBA4 - A=4"

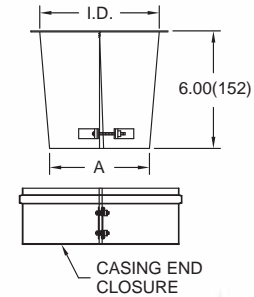
NOTE: Casing End Closure not used on PSW applications.



REDUCER COLLAR (RC)

Flow Resistance K= same as pipe
Attaches pipe to an outlet source of smaller diameter. Specify "A" dimension when ordering e.g. 6PIC4RC

NOTE: Maximum of 2" reduction recommended.

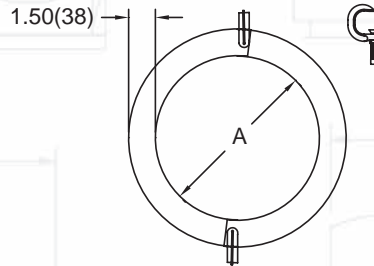


BOILER FLANGE ADAPTER (BFA)

Flow Resistance = N/A
Secures pipe flange to heating equipment.
(Zinc Plated)

A= Pipe I.D.

NOTE: Clamps included.

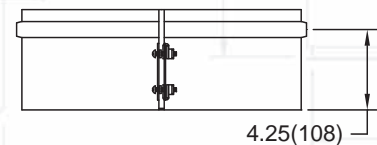


CLAMP QUANTITY			
PIPE I.D.	QUANTITY	PIPE I.D.	QUANTITY
6" (152)	4	28" (711)	14
8" (203)	4	30" (762)	14
10" (254)	5	32" (813)	16
12" (305)	6	34" (864)	16
14" (356)	7	36" (914)	18
16" (406)	8	38" (965)	18
18" (457)	9	40" (1016)	18
20" (508)	10	42" (1067)	18
22" (559)	10	44" (1118)	18
24" (610)	12	46" (1168)	18
26" (660)	12	48" (1219)	18

CASING END CLOSURE (CEC)

For use as an end cover when transitioning from double wall to single wall.

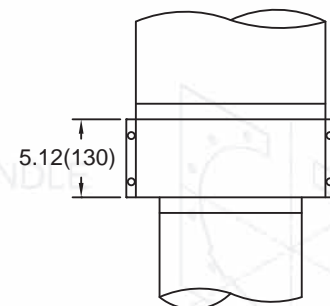
NOTE: When ordering, specify
PICCEC
IPICCEC-1
-2
-4



TRANSITION BAND (TB)

For use as a joint closure when transitioning from one insulation thickness to another.

NOTE: When ordering, specify
PICTB-1-2
-1-4
-2-4



COMPONENTS

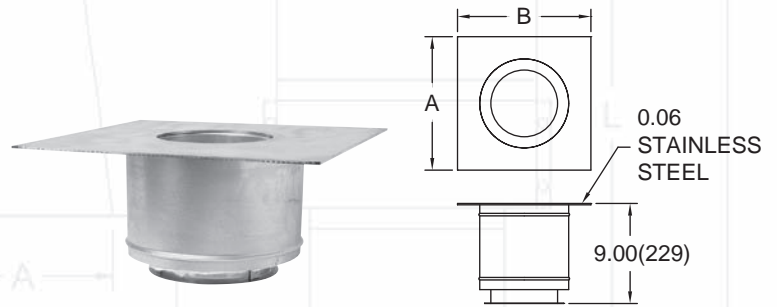
FAN ADAPTER PLATE (FAP)

6" - 36" Diameters

Connects to the inlet of an upblast fan.

Plate dimensions (A by B) = outside dimensions of curb less .25".

NOTE: Provide dimensions at order entry. Specify O.D. of curb or plate.



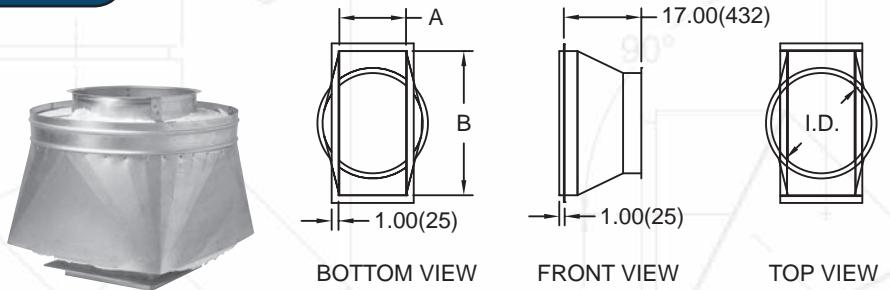
SQUARE TO ROUND (STR)

6" - 36" Diameters

Transitions from square duct to round duct.

NOTES:

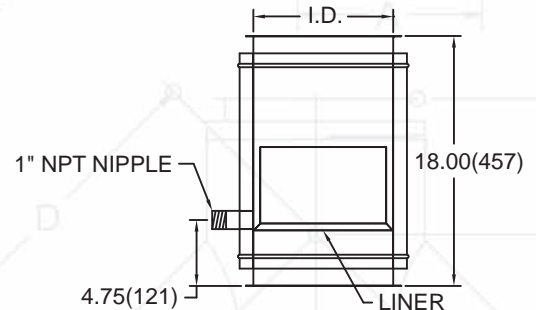
1. Specify dimensional data when ordering.
2. Eccentric and Offset STR's available as custom options upon request.



DRAIN SECTION (DS)

Flow Resistance $K = 0.25$

Drains rain water or condensation from inside the stack.

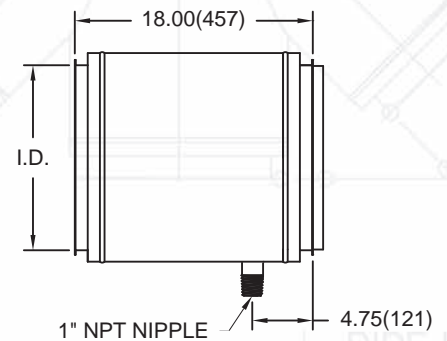


NOZZLE SECTION (NS)

6" - 36" Diameters

For use with wash down nozzles, fire suppression systems or as a drain section in a horizontal run.

NOTE: Please contact factory for larger diameters.



COMPONENTS

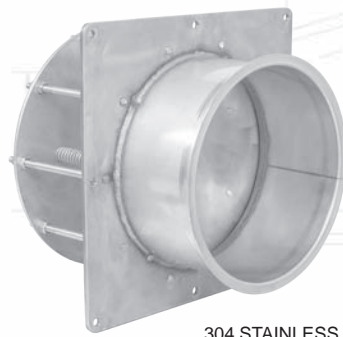
RELIEF VALVE ASSEMBLY (RV)

6" - 24" Diameters

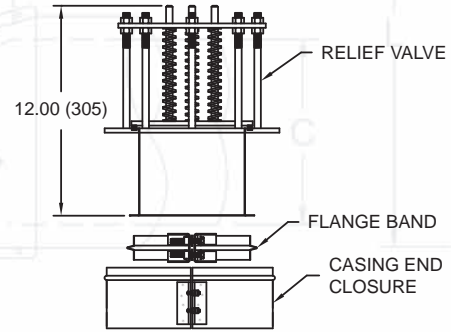
Aids to relieve excessive back pressure in an exhaust system.

Assembly includes:

- Relief Valve
- Flange band
- Casing End Closure
- Integrated Rigid Support Plate



304 STAINLESS STEEL CONSTRUCTION

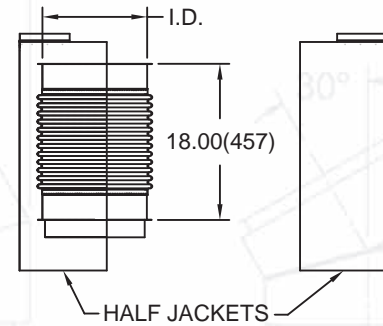


LINED BELLOWS JOINT (BJ)

Flow Resistance $K = 0.08$

Recommended for engine/turbine exhausts. Expansion joint to compensate for linear thermal expansion in generator exhaust systems. Maximum compressive travel is 3". Liner extends 2" beyond the installed length of the Bellows Joint.

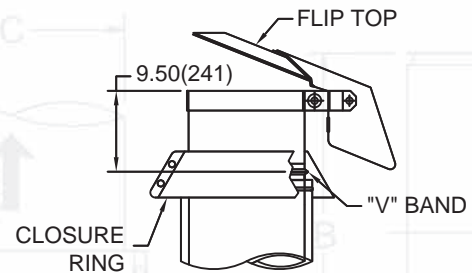
NOTE: PSW/PIC/IPIC-1 (6" - 48" Diameters)
IPIC-2/IPIC-4 (6" - 36" Diameters)



FLIP TOP (FT)

6" - 22" Diameters

Prevents rain from entering generator exhaust pipe. Opens with internal pressure.



SEAL CLIPS (SCK)

6" - 10" Diameters

Order Seal Clips when installing engine exhaust and other high pressure applications.

NOTE: Refer to Metal-Fab installation instructions L2592 (PIC & IPIC) and L2609 (PSW) for additional information.

SEAL CLIPS PER JOINT

Part Number	Number of Clips
SCK6-8	2ea.
SCK10	1ea.

COMPONENTS

SEALANT REQUIREMENTS

P077 Joint Sealant, use for temperatures up to 600°F.

P071 Joint Sealant, use for flue temperatures above 600°F and high pressure applications.

NOTE: Refer to the Installation Instructions for additional information relating to proper sealant selection and special requirements for high pressure applications.

Flue Diameter	Tubes / Joint	Joints / Tube	Tubes / Joint	Joints / Tube
			High Pressure	High Pressure
6"	0.20	5	0.60	1.70
8"	0.20	5	0.70	1.40
10"	0.20	5	0.90	1.10
12"	0.25	4	1.00	1.00
14"	0.25	4	1.10	0.90
16"	0.25	4	1.33	0.75
18"	0.33	3	1.50	0.70
20"	0.33	3	1.67	0.60
22"	0.33	3	1.80	0.60
24"	0.50	2	2.10	0.50
26"	0.50	2	2.20	0.50
28"	0.50	2	2.40	0.40
30"	0.67	1 1/2	2.67	0.40
32"	0.67	1 1/2	2.90	0.30
34"	0.67	1 1/2	3.00	0.30
36"	0.67	1 1/2	3.20	0.30
38"	1.00	1	3.60	0.30
40"	1.00	1	3.70	0.25
42"	1.00	1	3.80	0.25
44"	1.00	1	4.10	0.25
46"	1.20	4/5	4.30	0.20
48"	1.20	4/5	4.50	0.20

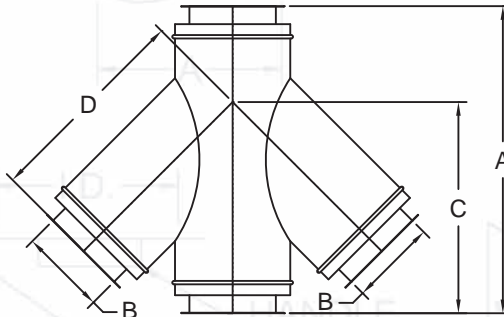
JOINT ASSEMBLY

1. Apply continuous bead of sealant 1/4" wide to one flange.
2. Join to next section.
3. Fill the flange/vee band with sealant and install around flanges.
4. Gently tap flange vee band with a soft mallet while tightening band to assure tight seal.
5. Insert insulation strips (IPIC-1, -2, -4) between pipe sections.
6. Install casing band. (Seal if external to structure to prevent moisture infiltration)



COMPONENTS

BODY I.D.	TAP I.D.	TAP I.D.												
		48	46	44	42	40	38	36	34	32	30	28	26	24
48PIC	"A"	80.71	77.88	75.05	72.22	69.40	66.57	63.74	60.91	58.08	55.26	52.43	50.60	48.77
	"B"	48	46	44	42	40	38	36	34	32	30	28	26	24
	"C"	65.35	63.94	62.53	61.11	59.70	58.28	56.87	55.46	54.04	52.63	51.21	49.80	48.39
	"D"	65.35	64.35	63.35	62.35	61.35	60.35	59.35	58.35	57.35	56.35	55.35	54.35	53.35
46PIC	"A"	77.88	75.05	72.22	69.40	66.57	63.74	60.91	58.08	55.26	52.43	49.60	47.77	46.94
	"B"	46	44	42	40	38	36	34	32	30	28	26	24	22
	"C"	62.94	61.53	60.11	58.70	57.28	55.87	54.46	53.04	51.63	50.21	48.80	47.39	45.97
	"D"	62.94	61.94	60.94	59.94	58.94	57.94	56.94	55.94	54.94	53.94	52.94	51.94	50.94
44PIC	"A"	75.05	72.22	69.40	66.57	63.74	60.91	58.08	55.26	52.43	49.60	46.77	45.94	44.11
	"B"	44	42	40	38	36	34	32	30	28	26	24	22	20
	"C"	60.53	59.11	57.70	56.28	54.87	53.46	52.04	50.63	49.21	47.80	46.39	44.97	43.56
	"D"	60.53	59.53	58.53	57.53	56.53	55.53	54.53	53.53	52.53	51.53	50.53	49.53	48.53
42PIC	"A"	72.22	69.40	66.57	63.74	60.91	58.08	55.26	52.43	49.60	46.77	44.94	43.11	41.28
	"B"	42	40	38	36	34	32	30	28	26	24	22	20	18
	"C"	58.11	56.70	55.28	53.87	52.46	51.04	49.63	48.21	46.80	45.39	43.97	42.56	41.14
	"D"	58.11	57.11	56.11	55.11	54.11	53.11	52.11	51.11	50.11	49.11	48.11	47.11	46.11
40PIC	"A"	69.40	66.57	63.74	60.91	58.08	55.26	52.43	49.60	46.77	43.94	42.11	40.28	39.46
	"B"	40	38	36	34	32	30	28	26	24	22	20	18	16
	"C"	55.70	54.28	52.87	51.46	50.04	48.63	47.21	45.80	44.39	42.97	41.56	40.14	38.73
	"D"	55.70	54.70	53.70	52.70	51.70	50.70	49.70	48.70	47.70	46.70	45.70	44.70	43.70
38PIC	"A"	66.57	63.74	60.91	58.08	55.26	52.43	49.60	46.77	43.94	41.11	39.28	38.46	37.63
	"B"	38	36	34	32	30	28	26	24	22	20	18	16	14
	"C"	53.28	51.87	50.46	49.04	47.63	46.21	44.80	43.39	41.97	40.56	39.14	37.73	36.31
	"D"	53.28	52.28	51.28	50.28	49.28	48.28	47.28	46.28	45.28	44.28	43.28	42.28	41.28
36PIC	"A"	63.74	60.91	58.08	55.26	52.43	49.60	46.77	43.94	41.11	38.28	37.46	36.63	34.80
	"B"	36	34	32	30	28	26	24	22	20	18	16	14	12
	"C"	50.87	49.46	48.04	46.63	45.21	43.80	42.39	40.97	39.56	38.14	36.73	35.31	33.90
	"D"	50.87	49.87	48.87	47.87	46.87	45.87	44.87	43.87	42.87	41.87	40.87	39.87	38.87
34PIC	"A"	60.91	58.08	55.26	52.43	49.60	46.77	43.94	41.11	38.28	36.46	35.63	33.80	31.97
	"B"	34	32	30	28	26	24	22	20	18	16	14	12	10
	"C"	48.46	47.04	45.63	44.21	42.80	41.39	39.97	38.56	37.14	35.73	34.31	32.90	31.49
	"D"	48.46	47.46	46.46	45.46	44.46	43.46	42.46	41.46	40.46	39.46	38.46	37.46	36.46
32PIC	"A"	58.08	55.26	52.43	49.60	46.77	43.94	41.11	38.28	35.46	34.63	32.80	30.97	29.14
	"B"	32	30	28	26	24	22	20	18	16	14	12	10	8
	"C"	46.04	44.63	43.21	41.80	40.39	38.97	37.56	36.14	34.73	33.31	31.90	30.49	29.07
	"D"	46.04	45.04	44.04	43.04	42.04	41.04	40.04	39.04	38.04	37.04	36.04	35.04	34.04
30PIC	"A"	55.26	52.43	49.60	46.77	43.94	41.11	38.28	35.46	32.63	31.80	29.97	28.14	27.31
	"B"	30	28	26	24	22	20	18	16	14	12	10	8	6
	"C"	43.63	42.21	40.80	39.39	37.97	36.56	35.14	33.73	32.31	30.90	29.49	28.07	26.66
	"D"	43.63	42.63	41.63	40.63	39.63	38.63	37.63	36.63	35.63	34.63	33.63	32.63	31.63
28PIC	"A"	52.43	49.60	46.77	43.94	41.11	38.28	35.46	32.63	30.80	28.97	27.14	26.31	26.48
	"B"	28	26	24	22	20	18	16	14	12	10	8	6	6
	"C"	41.21	39.80	38.39	36.97	35.56	34.14	32.73	31.31	29.90	28.49	27.07	25.66	25.83
	"D"	41.21	40.21	39.21	38.21	37.21	36.21	35.21	34.21	33.21	32.21	31.21	30.21	29.21
26PIC	"A"	49.60	46.77	43.94	41.11	38.28	35.46	32.63	29.80	27.97	26.14	25.31	25.48	
	"B"	26	24	22	20	18	16	14	12	10	8	6	6	
	"C"	38.80	37.39	35.97	34.56	33.14	31.73	30.31	28.90	27.49	26.07	24.66	24.83	
	"D"	38.80	37.80	36.80	35.80	34.80	33.80	32.80	31.80	30.80	29.80	28.80	27.80	
24PIC	"A"	46.77	43.94	41.11	38.28	35.46	32.63	29.80	26.97	25.14	24.31	24.48		
	"B"	24	22	20	18	16	14	12	10	8	6	6		
	"C"	36.39	34.97	33.56	32.14	30.73	29.31	27.90	26.49	25.07	23.66	23.83		
	"D"	36.39	35.39	34.39	33.39	32.39	31.39	30.39	29.39	28.39	27.39	26.39		
22PIC	"A"	43.94	41.11	38.28	35.46	32.63	29.80	26.97	24.14	23.31	23.48			
	"B"	22	20	18	16	14	12	10	8	6	6			
	"C"	33.97	32.56	31.14	29.73	28.31	26.90	25.49	24.07	22.66	22.83			
	"D"	33.97	32.97	31.97	30.97	29.97	28.97	27.97	26.97	25.97	24.97			
20PIC	"A"	41.11	38.28	35.46	32.63	29.80	26.97	24.14	22.31	22.48				
	"B"	20	18	16	14	12	10	8	6	6				
	"C"	31.56	30.14	28.73	27.31	25.90	24.49	23.07	21.66	21.83				
	"D"	31.56	30.56	29.56	28.56	27.56	26.56	25.56	24.56	23.56				
18PIC	"A"	38.28	35.46	32.63	29.80	26.97	24.14	22.31	22.48					
	"B"	18	16	14	12	10	8	6	6					
	"C"	29.14	27.73	26.31	24.90	23.49	22.07	20.66	20.83					
	"D"	29.14	28.14	27.14	26.14	25.14	24.14	23.14	22.14					
16PIC	"A"	35.46	32.63	29.80	26.97	24.14	22.31	22.48						
	"B"	16	14	12	10	8	6	6						
	"C"	26.73	25.31	23.90	22.49	21.07	19.66	19.83						
	"D"	26.73	25.73	24.73	23.73	22.73	21.73	20.73						
14PIC	"A"	32.63	29.80	26.97	24.14	22.31	22.48							
	"B"	14	12	10	8	6	6							
	"C"	24.31	22.90	21.49	20.07	18.66	18.83							
	"D"	24.31	23.31	22.31	21.31	20.31	19.31							
12PIC	"A"	29.80	26.97	24.14	22.31	22.48								
	"B"	12	10	8	6	6								
	"C"	21.90	20.49	19.07	17.66	17.83								
	"D"	21.90	20.90	19.90	18.90	17.90								
10PIC	"A"	26.97	24.14	22.31	22.48									
	"B"	10	8	6	6									
	"C"	19.49	18.07	16.66	16.83									
	"D"	19.49	18.49	17.49	16.49									
8PIC	"A"	24.14	22.31	22.48										
	"B"	8	6	6										
	"C"	17.07	15.66	15.83										
	"D"	17.07	16.07	15.07										
6PIC	"A"	21.31	22.48											
	"B"	6	6											
	"C"	14.66	14.83											
	"D"	14.66	13.66											



PSW, PIC AND IPIC-1 45MT & DL TABLE IN INCHES

COMPONENTS

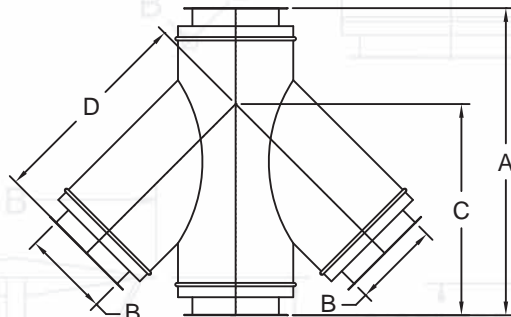
		TAP I.D.												
BODY I.D.	48PIC	48	46	44	42	40	38	36	34	32	30	28	26	24
	"A"	2050	1978	1906	1834	1763	1691	1619	1547	1475	1404	1332	1260	1188
	"B"	1219	1168	1118	1067	1016	965	914	864	813	762	711	660	610
	"C"	1680	1624	1588	1552	1516	1480	1444	1409	1373	1337	1301	1265	1229
	"D"	1680	1634	1609	1584	1558	1533	1507	1482	1457	1431	1406	1380	1355
	46PIC	46	44	42	40	38	36	34	32	30	28	26	24	22
	"A"	1978	1906	1834	1763	1691	1619	1547	1475	1404	1332	1260	1188	1116
	"B"	1168	1118	1067	1016	965	914	864	813	762	711	660	610	559
	"C"	1599	1563	1527	1491	1455	1419	1383	1347	1311	1275	1240	1204	1168
	"D"	1599	1573	1548	1522	1497	1472	1446	1421	1395	1370	1345	1319	1294
	44PIC	44	42	40	38	36	34	32	30	28	26	24	22	20
	"A"	1906	1834	1763	1691	1619	1547	1475	1404	1332	1260	1188	1116	1044
	"B"	1118	1067	1016	965	914	864	813	762	711	660	610	559	508
	"C"	1537	1501	1466	1430	1394	1358	1322	1286	1250	1214	1178	1142	1106
	"D"	1537	1512	1487	1461	1436	1410	1385	1360	1334	1309	1283	1258	1233
	42PIC	42	40	38	36	34	32	30	28	26	24	22	20	18
	"A"	1834	1763	1691	1619	1547	1475	1404	1332	1260	1188	1116	1044	972
	"B"	1067	1016	965	914	864	813	762	711	660	610	559	508	457
	"C"	1476	1440	1404	1368	1332	1296	1261	1225	1189	1153	1117	1081	1045
	"D"	1476	1451	1425	1400	1374	1349	1324	1298	1273	1247	1222	1197	1171
40PIC	40	38	36	34	32	30	28	26	24	22	20	18	16	
"A"	1763	1691	1619	1547	1475	1404	1332	1260	1188	1116	1044	972	900	
"B"	1016	965	914	864	813	762	711	660	610	559	508	457	406	
"C"	1415	1379	1343	1307	1271	1235	1199	1163	1128	1091	1056	1020	984	
"D"	1415	1389	1364	1339	1313	1288	1262	1237	1212	1186	1161	1135	1110	
38PIC	38	36	34	32	30	28	26	24	22	20	18	16	14	
"A"	1691	1619	1547	1475	1404	1332	1260	1188	1116	1044	972	900	828	
"B"	965	914	864	813	762	711	660	610	559	508	457	406	356	
"C"	1353	1317	1282	1246	1210	1174	1138	1102	1066	1030	994	958	922	
"D"	1353	1328	1303	1277	1252	1226	1201	1176	1150	1125	1099	1074	1049	
36PIC	36	34	32	30	28	26	24	22	20	18	16	14	12	
"A"	1619	1547	1475	1404	1332	1260	1188	1116	1044	972	900	828	756	
"B"	914	864	813	762	711	660	610	559	508	457	406	356	305	
"C"	1292	1256	1220	1184	1148	1113	1077	1041	1005	969	933	897	861	
"D"	1292	1267	1241	1216	1190	1165	1140	1114	1089	1063	1038	1013	987	
34PIC	34	32	30	28	26	24	22	20	18	16	14	12	10	
"A"	1547	1475	1404	1332	1260	1188	1116	1044	972	900	828	756	684	
"B"	864	813	762	711	660	610	559	508	457	406	356	305	254	
"C"	1231	1195	1159	1123	1087	1051	1015	979	943	908	871	836	800	
"D"	1231	1205	1180	1155	1129	1104	1078	1053	1028	1002	977	951	926	
32PIC	32	30	28	26	24	22	20	18	16	14	12	10	8	
"A"	1475	1404	1332	1260	1188	1116	1044	972	900	828	756	684	612	
"B"	813	762	711	660	610	559	508	457	406	356	305	254	203	
"C"	1169	1134	1098	1062	1026	990	954	918	882	846	810	774	738	
"D"	1169	1144	1119	1093	1068	1042	1017	992	966	941	915	890	865	
30PIC	30	28	26	24	22	20	18	16	14	12	10	8	6	
"A"	1404	1332	1260	1188	1116	1044	972	900	828	756	684	612	540	
"B"	762	711	660	610	559	508	457	406	356	305	254	203	152	
"C"	1108	1072	1036	1001	964	929	893	857	821	785	749	713	677	
"D"	1108	1083	1057	1032	1007	981	956	930	905	880	854	829	803	
28PIC	28	26	24	22	20	18	16	14	12	10	8	6	4	
"A"	1332	1260	1188	1116	1044	972	900	828	756	684	612	540	468	
"B"	711	660	610	559	508	457	406	356	305	254	203	152	101	
"C"	1047	1011	975	939	903	867	831	795	759	724	688	652	616	
"D"	1047	1021	996	971	945	920	894	869	844	818	793	767	741	
26PIC	26	24	22	20	18	16	14	12	10	8	6	4	2	
"A"	1260	1188	1116	1044	972	900	828	756	684	612	540	468	396	
"B"	660	610	559	508	457	406	356	305	254	203	152	101	50	
"C"	986	950	914	878	842	806	770	734	698	662	626	590	554	
"D"	986	960	935	909	884	859	833	808	782	757	732	706	680	
24PIC	24	22	20	18	16	14	12	10	8	6	4	2	1	
"A"	1188	1116	1044	972	900	828	756	684	612	540	468	396	324	
"B"	610	559	508	457	406	356	305	254	203	152	101	50	25	
"C"	924	888	852	816	781	744	709	673	637	601	565	529	493	
"D"	924	899	874	848	823	797	772	747	721	696	670	645	619	
22PIC	22	20	18	16	14	12	10	8	6	4	2	1	0.5	
"A"	1116	1044	972	900	828	756	684	612	540	468	396	324	252	
"B"	559	508	457	406	356	305	254	203	152	101	50	25	12.5	
"C"	863	827	791	755	719	683	647	611	575	539	503	467	431	
"D"	863	837	812	787	761	736	710	685	660	635	610	585	560	
20PIC	20	18	16	14	12	10	8	6	4	2	1	0.5	0.25	
"A"	1044	972	900	828	756	684	612	540	468	396	324	252	180	
"B"	508	457	406	356	305	254	203	152	101	50	25	12.5	6.25	
"C"	802	766	730	694	658	622	586	550	514	478	442	406	370	
"D"	802	776	751	725	700	675	649	624	599	574	549	524	499	
18PIC	18	16	14	12	10	8	6	4	2	1	0.5	0.25	0.125	
"A"	972	900	828	756	684	612	540	468	396	324	252	180	108	
"B"	457	406	356	305	254	203	152	101	50	25	12.5	6.25	3.125	
"C"	740	704	668	632	597	561	525	489	453	417	381	345	309	
"D"	740	715	689	664	639	613	588	563	538	513	488	463	438	
16PIC	16	14	12	10	8	6	4	2	1	0.5	0.25	0.125	0.0625	
"A"	900	828	756	684	612	540	468	396	324	252	180	108	64.8	
"B"	406	356	305	254	203	152	101	50	25	12.5	6.25	3.125	1.5625	
"C"	679	643	607	571	535	499	463	427	391	355	319	283	247	
"D"	679	654	628	603	577	552	527	502	477	452	427	402	377	
14PIC	14	12	10	8	6	4	2	1	0.5	0.25	0.125	0.0625	0.03125	
"A"	828	756	684	612	540	468	396	324	252	180	108	64.8	38.88	
"B"	356	305	254	203	152	101	50	25	12.5	6.25	3.125	1.5625	0.78125	
"C"	617	582	546	510	474	438	402	366	330	294	258	222	186	
"D"	617	592	567	541	516	491	466	441	416	391	366	341	316	
12PIC	12	10	8	6	4	2	1	0.5	0.25	0.125	0.0625	0.03125	0.015625	
"A"	756	684	612	540	468	396	324	252	180	108	64.8	38.88	23.328	
"B"	305	254	203	152	101	50	25	12.5	6.25	3.125	1.5625	0.78125	0.390625	
"C"	556	520	484	448	412	376	340	304	268	232	196	160	124	
"D"	556	531	505	480	455	430	405	380	355	330	305	280	255	
10PIC	10	8	6	4	2	1	0.5	0.25	0.125	0.0625	0.03125	0.015625	0.0078125	
"A"	684	612	540	468	396	324	252	180	108	64.8	38.88	23.328	14.4	
"B"	254	203	152	101	50	25	12.5	6.25	3.125	1.5625	0.78125	0.390625	0.1953125	
"C"	495	459	423	387	351	315	279	243	207	171	135	99	63	
"D"	495	470	444	418	392	366	340	314	288	262	236	210	184	
8PIC	8	6	4	2	1	0.5	0.25	0.125	0.0625	0.03125	0.015625	0.0078125	0.00390625	
"A"	612	540	468	396	324	252	180	108						

COMPONENTS

		TAP I.D.																												
48PIC	"A"	48	46	44	42	40	38	36	34	32	30	28	26	24	22	83.53	80.70	77.87	75.05	72.22	69.39	66.56	63.73	60.91	58.08	55.25	53.42	51.59	50.77	
	"B"	48	46	44	42	40	38	36	34	32	30	28	26	24	22	67.77	66.35	64.94	63.52	62.11	60.70	59.28	57.87	56.45	55.04	53.63	52.21	50.80	49.38	
	"C"	48	46	44	42	40	38	36	34	32	30	28	26	24	22	67.77	66.77	65.77	64.77	63.77	62.77	61.77	60.77	59.77	58.77	57.77	56.77	55.77	54.77	53.77
	"D"	48	46	44	42	40	38	36	34	32	30	28	26	24	22	67.77	66.77	65.77	64.77	63.77	62.77	61.77	60.77	59.77	58.77	57.77	56.77	55.77	54.77	53.77
46PIC	"A"	46	44	42	40	38	36	34	32	30	28	26	24	22	80.70	77.87	75.05	72.22	69.39	66.56	63.73	60.91	58.08	55.25	52.42	49.59	46.77	43.94	41.11	38.28
	"B"	46	44	42	40	38	36	34	32	30	28	26	24	22	65.35	63.94	62.52	61.11	59.70	58.28	56.87	55.45	54.04	52.63	51.21	49.80	48.38	46.97		
	"C"	46	44	42	40	38	36	34	32	30	28	26	24	22	65.35	64.35	63.35	62.35	61.35	60.35	59.35	58.35	57.35	56.35	55.35	54.35	53.35	52.35		
	"D"	46	44	42	40	38	36	34	32	30	28	26	24	22	65.35	64.35	63.35	62.35	61.35	60.35	59.35	58.35	57.35	56.35	55.35	54.35	53.35	52.35		
44PIC	"A"	44	42	40	38	36	34	32	30	28	26	24	22	20	18	77.87	75.05	72.22	69.39	66.56	63.73	60.91	58.08	55.25	52.42	49.59	46.77	43.94	41.11	38.28
	"B"	44	42	40	38	36	34	32	30	28	26	24	22	20	18	62.94	61.52	60.11	58.70	57.28	55.87	54.45	53.04	51.63	50.21	48.80	47.38	45.97	44.56	
	"C"	44	42	40	38	36	34	32	30	28	26	24	22	20	18	62.94	61.94	60.94	59.94	58.94	57.94	56.94	55.94	54.94	53.94	52.94	51.94	50.94	49.94	
	"D"	44	42	40	38	36	34	32	30	28	26	24	22	20	18	62.94	61.94	60.94	59.94	58.94	57.94	56.94	55.94	54.94	53.94	52.94	51.94	50.94	49.94	
42PIC	"A"	42	40	38	36	34	32	30	28	26	24	22	20	18	16	75.05	72.22	69.39	66.56	63.73	60.91	58.08	55.25	52.42	49.59	46.77	43.94	41.11	38.28	
	"B"	42	40	38	36	34	32	30	28	26	24	22	20	18	16	60.52	59.11	57.70	56.28	54.87	53.45	52.04	50.63	49.21	47.80	46.38	44.97	43.56	42.14	
	"C"	42	40	38	36	34	32	30	28	26	24	22	20	18	16	60.52	59.52	58.52	57.52	56.52	55.52	54.52	53.52	52.52	51.52	50.52	49.52	48.52	47.52	
	"D"	42	40	38	36	34	32	30	28	26	24	22	20	18	16	60.52	59.52	58.52	57.52	56.52	55.52	54.52	53.52	52.52	51.52	50.52	49.52	48.52	47.52	
40PIC	"A"	40	38	36	34	32	30	28	26	24	22	20	18	16	14	72.22	69.39	66.56	63.73	60.91	58.08	55.25	52.42	49.59	46.77	43.94	41.11	38.28	35.45	32.63
	"B"	40	38	36	34	32	30	28	26	24	22	20	18	16	14	58.11	56.70	55.28	53.87	52.45	51.04	49.63	48.21	46.80	45.38	43.97	42.56	41.14	39.73	
	"C"	40	38	36	34	32	30	28	26	24	22	20	18	16	14	58.11	57.11	56.11	55.11	54.11	53.11	52.11	51.11	50.11	49.11	48.11	47.11	46.11	45.11	
	"D"	40	38	36	34	32	30	28	26	24	22	20	18	16	14	58.11	57.11	56.11	55.11	54.11	53.11	52.11	51.11	50.11	49.11	48.11	47.11	46.11	45.11	
38PIC	"A"	38	36	34	32	30	28	26	24	22	20	18	16	14	12	69.39	66.56	63.73	60.91	58.08	55.25	52.42	49.59	46.77	43.94	41.11	38.28	35.45	32.63	
	"B"	38	36	34	32	30	28	26	24	22	20	18	16	14	12	55.70	54.28	52.87	51.45	50.04	48.63	47.21	45.80	44.38	42.97	41.56	40.14	38.73	37.31	
	"C"	38	36	34	32	30	28	26	24	22	20	18	16	14	12	55.70	54.70	53.70	52.70	51.70	50.70	49.70	48.70	47.70	46.70	45.70	44.70	43.70	42.70	
	"D"	38	36	34	32	30	28	26	24	22	20	18	16	14	12	55.70	54.70	53.70	52.70	51.70	50.70	49.70	48.70	47.70	46.70	45.70	44.70	43.70	42.70	
36PIC	"A"	36	34	32	30	28	26	24	22	20	18	16	14	12	10	66.56	63.73	60.91	58.08	55.25	52.42	49.59	46.77	43.94	41.11	38.28	35.45	32.63	29.80	
	"B"	36	34	32	30	28	26	24	22	20	18	16	14	12	10	53.28	51.87	50.45	49.04	47.63	46.21	44.80	43.38	41.97	40.56	39.14	37.73	36.31	34.90	
	"C"	36	34	32	30	28	26	24	22	20	18	16	14	12	10	53.28	52.28	51.28	50.28	49.28	48.28	47.28	46.28	45.28	44.28	43.28	42.28	41.28	40.28	
	"D"	36	34	32	30	28	26	24	22	20	18	16	14	12	10	53.28	52.28	51.28	50.28	49.28	48.28	47.28	46.28	45.28	44.28	43.28	42.28	41.28	40.28	
34PIC	"A"	34	32	30	28	26	24	22	20	18	16	14	12	10	8	63.73	60.91	58.08	55.25	52.42	49.59	46.77	43.94	41.11	38.28	35.45	32.63	29.80	27.97	
	"B"	34	32	30	28	26	24	22	20	18	16	14	12	10	8	50.87	49.45	48.04	46.63	45.21	43.80	42.38	40.97	39.56	38.14	36.73	35.31	33.90	32.49	
	"C"	34	32	30	28	26	24	22	20	18	16	14	12	10	8	50.87	49.87	48.87	47.87	46.87	45.87	44.87	43.87	42.87	41.87	40.87	39.87	38.87	37.87	
	"D"	34	32	30	28	26	24	22	20	18	16	14	12	10	8	50.87	49.87	48.87	47.87	46.87	45.87	44.87	43.87	42.87	41.87	40.87	39.87	38.87	37.87	
32PIC	"A"	32	30	28	26	24	22	20	18	16	14	12	10	8	6	60.91	58.08	55.25	52.42	49.59	46.77	43.94	41.11	38.28	35.45	32.63	29.80	27.97	26.14	
	"B"	32	30	28	26	24	22	20	18	16	14	12	10	8	6	48.45	47.04	45.63	44.21	42.80	41.38	39.97	38.56	37.14	35.73	34.31	32.90	31.49	30.07	
	"C"	32	30	28	26	24	22	20	18	16	14	12	10	8	6	48.45	47.45	46.45	45.45	44.45	43.45	42.45	41.45	40.45	39.45	38.45	37.45	36.45	35.45	
	"D"	32	30	28	26	24	22	20	18	16	14	12	10	8	6	48.45	47.45	46.45	45.45	44.45	43.45	42.45	41.45	40.45	39.45	38.45	37.45	36.45	35.45	
30PIC	"A"	30	28	26	24	22	20	18	16	14	12	10	8	6	58.08	55.25	52.42	49.59	46.77	43.94	41.11	38.28	35.45	32.63	29.80	27.97	26.14	24.31		
	"B"	30	28	26	24	22	20	18	16	14	12	10	8	6	46.04	44.63	43.21	41.80	40.38	38.97	37.56	36.14	34.73	33.31	31.90	30.49	29.07	27.66		
	"C"	30	28	26	24	22	20	18	16	14	12	10	8	6	46.04	45.04	44.04	43.04	42.04	41.04	40.04	39.04	38.04	37.04	36.04	35.04	34.04			
	"D"	30	28	26	24	22	20	18	16	14	12	10	8	6	46.04	45.04	44.04	43.04	42.04	41.04	40.04	39.04	38.04	37.04	36.04	35.04	34.04			
28PIC	"A"	28	26	24	22	20	18	16	14	12	10	8	6	55.25	52.42	49.59	46.77	43.94	41.11	38.28	35.45	32.63	29.80	27.97	26.14	24.31	22.49			
	"B"	28	26	24	22	20	18	16	14	12	10	8	6	43.63	42.21	40.80	39.38	37.97	36.56	35.14	33.73	32.31	30.90	29.49	28.07	26.66	25.25			
	"C"	28	26	24	22	20	18	16	14	12	10	8	6	43.63	42.63	41.63	40.63	39.63	38.63	37.63	36.63	35.63	34.63	33.63	32.63					
	"D"	28	26	24	22	20	18	16	14	12	10	8	6	43.63	42.63	41.63	40.63	39.63	38.63	37.63	36.63	35.63	34.63	33.63	32.63					
26PIC	"A"	26	24	22	20	18	16	14	12	10	8	6	52.42	49.59	46.77	43.94	41.11	38.28	35.45	32.63	29.80	27.97	26.14	24.31	22.49	20.66				
	"B"	26	24	22	20	18	16	14	12	10	8	6	41.21	39.80	38.38	36.97	35.56	34.14	32.73	31.31	29.90	28.49	27.07	25.66	24.25	22.84				
	"C"	26	24	22	20	18	16	14	12	10	8	6	41.21	40.21	39.21	38.21	37.21	36.21	35.21	34.21	33.21	32.21	31.21							
	"D"	26	24	22	20	18	16	14	12	10	8	6	41.21	40.21	39.21	38.21	37.21	36.21	35.21	34.21	33.21	32.21	31.21							
24PIC	"A"	24	22	20	18	16	14	12	10	8	6	49.59	46.77	43.94	41.11	38.28	35.45	32.63	29.80	27.97	26.14	24.31	22.49	20.66	1					

COMPONENTS

BODY I.D.		TAP I.D.													
		48	46	44	42	40	38	36	34	32	30	28	26	24	22
48PIC	"A"	2122	2050	1978	1906	1834	1763	1691	1619	1547	1475	1403	1357	1310	1290
	"B"	1219	1168	1118	1067	1016	965	914	864	813	762	711	660	610	559
	"C"	1721	1685	1649	1613	1578	1542	1506	1470	1434	1398	1362	1326	1290	1254
	"D"	1721	1696	1671	1645	1620	1594	1569	1544	1518	1493	1467	1442	1417	1391
46PIC	"A"	2050	1978	1906	1834	1763	1691	1619	1547	1475	1403	1331	1285	1264	1218
	"B"	1168	1118	1067	1016	965	914	864	813	762	711	660	610	559	508
	"C"	1660	1624	1588	1552	1516	1480	1444	1408	1373	1337	1301	1265	1229	1193
	"D"	1660	1634	1609	1584	1558	1533	1507	1482	1457	1431	1406	1380	1355	1330
44PIC	"A"	1978	1906	1834	1763	1691	1619	1547	1475	1403	1331	1260	1239	1192	1146
	"B"	1118	1067	1016	965	914	864	813	762	711	660	610	559	508	457
	"C"	1599	1563	1527	1491	1455	1419	1383	1347	1311	1275	1240	1203	1168	1132
	"D"	1599	1573	1548	1522	1497	1472	1446	1421	1395	1370	1345	1319	1294	1268
42PIC	"A"	1906	1834	1763	1691	1619	1547	1475	1403	1331	1260	1213	1167	1120	1099
	"B"	1067	1016	965	914	864	813	762	711	660	610	559	508	457	406
	"C"	1537	1501	1466	1430	1394	1358	1322	1286	1250	1214	1178	1142	1106	1070
	"D"	1537	1512	1486	1461	1436	1410	1385	1359	1334	1309	1283	1258	1232	1207
40PIC	"A"	1834	1763	1691	1619	1547	1475	1403	1331	1260	1188	1141	1095	1074	1032
	"B"	1016	965	914	864	813	762	711	660	610	559	508	457	406	356
	"C"	1476	1440	1404	1368	1332	1296	1260	1225	1189	1153	1117	1081	1045	1009
	"D"	1476	1451	1425	1400	1374	1349	1324	1298	1273	1247	1222	1197	1171	1146
38PIC	"A"	1763	1691	1619	1547	1475	1403	1331	1260	1188	1116	1070	1049	1007	981
	"B"	965	914	864	813	762	711	660	610	559	508	457	406	356	305
	"C"	1415	1379	1343	1307	1271	1235	1199	1163	1127	1091	1055	1020	984	948
	"D"	1415	1389	1364	1339	1313	1288	1262	1237	1212	1186	1161	1135	1110	1085
36PIC	"A"	1691	1619	1547	1475	1403	1331	1260	1188	1116	1044	1023	981	956	909
	"B"	914	864	813	762	711	660	610	559	508	457	406	356	305	254
	"C"	1353	1317	1281	1246	1210	1174	1138	1102	1066	1030	994	958	922	886
	"D"	1353	1328	1303	1277	1252	1226	1201	1176	1150	1125	1099	1074	1049	1023
34PIC	"A"	1619	1547	1475	1403	1331	1260	1188	1116	1044	998	956	930	884	837
	"B"	864	813	762	711	660	610	559	508	457	406	356	305	254	203
	"C"	1292	1256	1220	1184	1148	1113	1076	1041	1005	969	933	897	861	825
	"D"	1292	1267	1241	1216	1190	1165	1140	1114	1089	1063	1038	1013	987	962
32PIC	"A"	1547	1475	1403	1331	1260	1188	1116	1044	972	930	905	859	812	797
	"B"	813	762	711	660	610	559	508	457	406	356	305	254	203	152
	"C"	1231	1196	1159	1123	1087	1051	1015	979	943	908	871	836	800	764
	"D"	1231	1205	1180	1154	1129	1104	1078	1053	1027	1002	977	951	926	900
30PIC	"A"	1475	1403	1331	1260	1188	1116	1044	972	900	880	833	787	772	
	"B"	711	660	610	559	508	457	406	356	305	254	203	152		
	"C"	1169	1134	1098	1062	1026	990	954	918	882	846	810	774	738	
	"D"	1169	1144	1119	1093	1068	1042	1017	992	966	941	915	890	865	
28PIC	"A"	1403	1331	1260	1188	1116	1044	972	900	854	808	761	747		
	"B"	711	660	610	559	508	457	406	356	305	254	203	152		
	"C"	1108	1072	1036	1000	964	929	893	857	821	785	749	713		
	"D"	1108	1083	1057	1032	1007	981	956	930	905	880	854	829		
26PIC	"A"	1331	1260	1188	1116	1044	972	900	829	782	736	721			
	"B"	660	610	559	508	457	406	356	305	254	203	152			
	"C"	1047	1011	975	939	903	867	831	795	759	724	688			
	"D"	1047	1021	996	971	945	920	894	869	844	818	793			
24PIC	"A"	1260	1188	1116	1044	972	900	829	757	710	696				
	"B"	610	559	508	457	406	356	305	254	203	152				
	"C"	986	949	914	878	842	806	770	734	698	662				
	"D"	986	960	935	909	884	859	833	808	782	757				
22PIC	"A"	1188	1116	1044	972	900	829	757	685	670					
	"B"	559	508	457	406	356	305	254	203	152					
	"C"	924	888	852	816	781	744	709	673	637					
	"D"	924	899	873	848	822	797	772	746	721					
20PIC	"A"	1116	1044	972	900	829	757	685	613						
	"B"	508	457	406	356	305	254	203	152						
	"C"	863	827	791	755	719	683	647	611						
	"D"	863	837	812	787	761	736	710	685						
18PIC	"A"	1044	972	900	829	757	685	613							
	"B"	457	406	356	305	254	203	152							
	"C"	802	766	730	694	658	622	586							
	"D"	802	776	751	725	700	675	649							
16PIC	"A"	972	900	829	757	685	613								
	"B"	406	356	305	254	203	152								
	"C"	740	704	668	632	597	561								
	"D"	740	715	689	664	639	613								
14PIC	"A"	900	829	757	685	613									
	"B"	356	305	254	203	152									
	"C"	679	643	607	571	535									
	"D"	679	654	628	603	577									
12PIC	"A"	829	757	685	613										
	"B"	305	254	203	152										
	"C"	617	582	546	510										
	"D"	617	592	567	541										
10PIC	"A"	757	685	613											
	"B"	254	203	152											
	"C"	556	520	484											
	"D"	556	531	505											
8PIC	"A"	685	613												
	"B"	203	152												
	"C"	495	459												
	"D"	495	470												
6PIC	"A"	613													
	"B"	152													
	"C"	434													
	"D"	434													



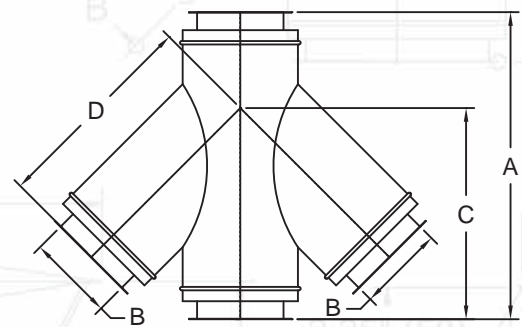
IPIC-2 45MT & DL TABLE IN METRIC

COMPONENTS

BODY I.D.	TAP I.D.	TAP I.D.												
		48	46	44	42	40	38	36	34	32	30	28	26	24
48PIC	*A*	89.19	86.36	83.54	80.71	77.88	75.05	72.22	69.40	66.57	63.74	60.91	58.08	55.25
	B	48	46	44	42	40	38	36	34	32	30	28	26	24
	C	72.60	71.18	69.77	68.35	66.94	65.53	64.11	62.70	61.28	59.87	58.45	57.04	55.63
	D	72.60	71.60	70.60	69.60	68.60	67.60	66.60	65.60	64.60	63.60	62.60	61.60	60.60
46PIC	*A*	86.36	83.54	80.71	77.88	75.05	72.22	69.40	66.57	63.74	60.91	58.08	55.25	52.42
	B	46	44	42	40	38	36	34	32	30	28	26	24	22
	C	70.18	68.77	67.35	65.94	64.53	63.11	61.70	60.28	58.87	57.45	56.04	54.63	53.21
	D	70.18	69.18	68.18	67.18	66.18	65.18	64.18	63.18	62.18	61.18	60.18	59.18	58.18
44PIC	*A*	83.54	80.71	77.88	75.05	72.22	69.40	66.57	63.74	60.91	58.08	55.25	52.42	49.59
	B	44	42	40	38	36	34	32	30	28	26	24	22	20
	C	67.77	66.35	64.94	63.53	62.11	60.70	59.28	57.87	56.45	55.04	53.63	52.21	50.80
	D	67.77	66.77	65.77	64.77	63.77	62.77	61.77	60.77	59.77	58.77	57.77	56.77	55.77
42PIC	*A*	80.71	77.88	75.05	72.22	69.40	66.57	63.74	60.91	58.08	55.25	52.42	49.59	46.77
	B	42	40	38	36	34	32	30	28	26	24	22	20	18
	C	65.35	63.94	62.53	61.11	59.70	58.28	56.87	55.45	54.04	52.63	51.21	49.80	48.38
	D	65.35	64.35	63.35	62.35	61.35	60.35	59.35	58.35	57.35	56.35	55.35	54.35	53.35
40PIC	*A*	77.88	75.05	72.22	69.40	66.57	63.74	60.91	58.08	55.25	52.42	49.59	46.77	43.94
	B	40	38	36	34	32	30	28	26	24	22	20	18	16
	C	62.94	61.53	60.11	58.70	57.28	55.87	54.45	53.04	51.63	50.21	48.80	47.38	45.97
	D	62.94	61.94	60.94	59.94	58.94	57.94	56.94	55.94	54.94	53.94	52.94	51.94	50.94
38PIC	*A*	75.05	72.22	69.40	66.57	63.74	60.91	58.08	55.25	52.42	49.59	46.77	43.94	41.11
	B	38	36	34	32	30	28	26	24	22	20	18	16	14
	C	60.53	59.11	57.70	56.28	54.87	53.45	52.04	50.63	49.21	47.80	46.38	44.97	43.56
	D	60.53	59.53	58.53	57.53	56.53	55.53	54.53	53.53	52.53	51.53	50.53	49.53	48.53
36PIC	*A*	72.22	69.40	66.57	63.74	60.91	58.08	55.25	52.42	49.59	46.77	43.94	41.11	38.28
	B	36	34	32	30	28	26	24	22	20	18	16	14	12
	C	58.11	56.70	55.28	53.87	52.45	51.04	49.63	48.21	46.80	45.38	43.97	42.56	41.14
	D	58.11	57.11	56.11	55.11	54.11	53.11	52.11	51.11	50.11	49.11	48.11	47.11	46.11
34PIC	*A*	69.40	66.57	63.74	60.91	58.08	55.25	52.42	49.59	46.77	43.94	41.11	38.28	35.46
	B	34	32	30	28	26	24	22	20	18	16	14	12	10
	C	55.70	54.28	52.87	51.45	50.04	48.63	47.21	45.80	44.38	42.97	41.56	40.14	38.73
	D	55.70	54.70	53.70	52.70	51.70	50.70	49.70	48.70	47.70	46.70	45.70	44.70	43.70
32PIC	*A*	66.57	63.74	60.91	58.08	55.25	52.42	49.59	46.77	43.94	41.11	38.28	35.46	32.63
	B	32	30	28	26	24	22	20	18	16	14	12	10	8
	C	53.28	51.87	50.45	49.04	47.63	46.21	44.80	43.38	41.97	40.56	39.14	37.73	36.31
	D	53.28	52.28	51.28	50.28	49.28	48.28	47.28	46.28	45.28	44.28	43.28	42.28	41.28
30PIC	*A*	63.74	60.91	58.08	55.25	52.42	49.59	46.77	43.94	41.11	38.28	35.46	32.63	29.80
	B	30	28	26	24	22	20	18	16	14	12	10	8	6
	C	50.87	49.45	48.04	46.63	45.21	43.80	42.38	40.97	39.56	38.14	36.73	35.31	33.90
	D	50.87	49.87	48.87	47.87	46.87	45.87	44.87	43.87	42.87	41.87	40.87	39.87	38.87
28PIC	*A*	60.91	58.08	55.25	52.42	49.59	46.77	43.94	41.11	38.28	35.46	32.63	29.80	27.00
	B	28	26	24	22	20	18	16	14	12	10	8	6	4
	C	48.45	47.04	45.63	44.21	42.80	41.38	39.97	38.56	37.14	35.73	34.31	32.90	31.48
	D	48.45	47.45	46.45	45.45	44.45	43.45	42.45	41.45	40.45	39.45	38.45	37.45	36.45
26PIC	*A*	58.08	55.25	52.42	49.59	46.77	43.94	41.11	38.28	35.46	32.63	29.80	27.00	24.20
	B	26	24	22	20	18	16	14	12	10	8	6	4	2
	C	46.04	44.63	43.21	41.80	40.38	38.97	37.56	36.14	34.73	33.31	31.90	30.48	29.06
	D	46.04	45.04	44.04	43.04	42.04	41.04	40.04	39.04	38.04	37.04	36.04	35.04	34.04
24PIC	*A*	55.25	52.42	49.59	46.77	43.94	41.11	38.28	35.46	32.63	29.80	27.00	24.20	21.40
	B	24	22	20	18	16	14	12	10	8	6	4	2	0
	C	43.63	42.21	40.80	39.38	37.97	36.56	35.14	33.73	32.31	30.90	29.48	28.06	26.64
	D	43.63	42.63	41.63	40.63	39.63	38.63	37.63	36.63	35.63	34.63	33.63	32.63	31.63
22PIC	*A*	52.42	49.59	46.77	43.94	41.11	38.28	35.46	32.63	29.80	27.00	24.20	21.40	18.60
	B	22	20	18	16	14	12	10	8	6	4	2	0	-2
	C	41.21	39.80	38.38	36.97	35.56	34.14	32.73	31.31	29.90	28.48	27.06	25.64	24.22
	D	41.21	40.21	39.21	38.21	37.21	36.21	35.21	34.21	33.21	32.21	31.21	30.21	29.21
20PIC	*A*	49.59	46.77	43.94	41.11	38.28	35.46	32.63	29.80	27.00	24.20	21.40	18.60	15.80
	B	20	18	16	14	12	10	8	6	4	2	0	-2	-4
	C	38.80	37.38	35.97	34.56	33.14	31.73	30.31	28.90	27.48	26.06	24.64	23.22	21.80
	D	38.80	37.80	36.80	35.80	34.80	33.80	32.80	31.80	30.80	29.80	28.80	27.80	26.80
18PIC	*A*	46.77	43.94	41.11	38.28	35.46	32.63	29.80	27.00	24.20	21.40	18.60	15.80	13.00
	B	18	16	14	12	10	8	6	4	2	0	-2	-4	-6
	C	36.38	34.97	33.56	32.14	30.73	29.31	27.90	26.48	25.06	23.64	22.22	20.80	19.38
	D	36.38	35.38	34.38	33.38	32.38	31.38	30.38	29.38	28.38	27.38	26.38	25.38	24.38
16PIC	*A*	43.94	41.11	38.28	35.46	32.63	29.80	27.00	24.20	21.40	18.60	15.80	13.00	10.20
	B	16	14	12	10	8	6	4	2	0	-2	-4	-6	-8
	C	33.97	32.56	31.14	29.73	28.31	26.90	25.48	24.06	22.64	21.22	19.80	18.38	16.96
	D	33.97	32.97	31.97	30.97	29.97	28.97	27.97	26.97	25.97	24.97	23.97	22.97	21.97
14PIC	*A*	41.11	38.28	35.46	32.63	29.80	27.00	24.20	21.40	18.60	15.80	13.00	10.20	7.40
	B	14	12	10	8	6	4	2	0	-2	-4	-6	-8	-10
	C	31.56	30.14	28.73	27.31	25.90	24.48	23.06	21.64	20.22	18.80	17.38	15.96	14.54
	D	31.56	30.56	29.56	28.56	27.56	26.56	25.56	24.56	23.56	22.56	21.56	20.56	19.56
12PIC	*A*	38.28	35.46	32.63	29.80	27.00	24.20	21.40	18.60	15.80	13.00	10.20	7.40	4.60
	B	12	10	8	6	4	2	0	-2	-4	-6	-8	-10	-12
	C	29.14	27.73	26.31	24.90	23.48	22.06	20.64	19.22	17.80	16.38	14.96	13.54	12.12
	D	29.14	28.14	27.14	26.14	25.14	24.14	23.14	22.14	21.14	20.14	19.14	18.14	17.14
10PIC	*A*	35.46	32.63	29.80	27.00	24.20	21.40	18.60	15.80	13.00	10.20	7.40	4.60	1.80
	B	10	8	6	4	2	0	-2	-4	-6	-8	-10	-12	-14
	C	26.73	25.31	23.90	22.48	21.06	19.64	18.22	16.80	15.38	13.96	12.54	11.12	9.70
	D	26.73	25.73	24.73	23.73	22.73	21.73	20.73	19.73	18.73	17.73	16.73	15.73	14.73
8PIC	*A*	32.63	29.80	27.00	24.20	21.40	18.60	15.80	13.00	10.20	7.40	4.60	1.80	-1.00
	B	8	6	4	2</									

COMPONENTS

BODY I.D.		TAP I.D.												
		48	46	44	42	40	38	36	34	32	30	28	26	24
48PIC	"A"	2265	2194	2122	2050	1978	1906	1834	1763	1691	1619	1547	1475	1429
	"B"	1219	1168	1118	1067	1016	965	914	864	813	762	711	660	610
	"C"	1844	1808	1772	1736	1700	1664	1628	1593	1557	1521	1485	1449	1413
	"D"	1844	1819	1793	1768	1742	1717	1692	1666	1641	1615	1590	1565	1539
46PIC	"A"	2194	2122	2050	1978	1906	1834	1763	1691	1619	1547	1475	1403	1382
	"B"	1168	1118	1067	1016	965	914	864	813	762	711	660	610	559
	"C"	1783	1747	1711	1675	1639	1603	1567	1531	1495	1459	1423	1388	1352
	"D"	1783	1757	1732	1706	1681	1656	1630	1605	1579	1554	1529	1503	1478
44PIC	"A"	2122	2050	1978	1906	1834	1763	1691	1619	1547	1475	1403	1357	1311
	"B"	1118	1067	1016	965	914	864	813	762	711	660	610	559	508
	"C"	1721	1685	1649	1614	1578	1542	1506	1470	1434	1398	1362	1326	1290
	"D"	1721	1696	1671	1645	1620	1594	1569	1544	1518	1493	1467	1442	1417
42PIC	"A"	2050	1978	1906	1834	1763	1691	1619	1547	1475	1403	1331	1285	1264
	"B"	1067	1016	965	914	864	813	762	711	660	610	559	508	457
	"C"	1660	1624	1588	1552	1516	1480	1444	1408	1373	1337	1301	1265	1229
	"D"	1660	1634	1609	1584	1558	1533	1507	1482	1457	1431	1406	1380	1355
40PIC	"A"	1978	1906	1834	1763	1691	1619	1547	1475	1403	1331	1260	1239	1192
	"B"	1016	965	914	864	813	762	711	660	610	559	508	457	406
	"C"	1599	1563	1527	1491	1455	1419	1383	1347	1311	1275	1240	1203	1168
	"D"	1599	1573	1548	1522	1497	1472	1446	1421	1395	1370	1345	1319	1294
38PIC	"A"	1906	1834	1763	1691	1619	1547	1475	1403	1331	1260	1213	1167	1120
	"B"	965	914	864	813	762	711	660	610	559	508	457	406	356
	"C"	1537	1501	1466	1430	1394	1358	1322	1286	1250	1214	1178	1142	1106
	"D"	1537	1512	1487	1461	1436	1410	1385	1360	1334	1309	1283	1258	1233
36PIC	"A"	1834	1763	1691	1619	1547	1475	1403	1331	1260	1188	1141	1095	1074
	"B"	914	864	813	762	711	660	610	559	508	457	406	356	305
	"C"	1476	1440	1404	1368	1332	1296	1261	1225	1189	1153	1117	1081	1045
	"D"	1476	1451	1425	1400	1374	1349	1324	1298	1273	1247	1222	1197	1171
34PIC	"A"	1763	1691	1619	1547	1475	1403	1331	1260	1188	1116	1070	1049	1002
	"B"	864	813	762	711	660	610	559	508	457	406	356	305	254
	"C"	1415	1379	1343	1307	1271	1235	1199	1163	1127	1091	1056	1020	984
	"D"	1415	1389	1364	1339	1313	1288	1262	1237	1212	1186	1161	1135	1110
32PIC	"A"	1691	1619	1547	1475	1403	1331	1260	1188	1116	1044	1023	977	930
	"B"	813	762	711	660	610	559	508	457	406	356	305	254	203
	"C"	1353	1317	1281	1246	1210	1174	1138	1102	1066	1030	994	958	922
	"D"	1353	1328	1303	1277	1252	1226	1201	1176	1150	1125	1099	1074	1049
30PIC	"A"	1619	1547	1475	1403	1331	1260	1188	1116	1044	998	951	905	884
	"B"	762	711	660	610	559	508	457	406	356	305	254	203	152
	"C"	1292	1256	1220	1184	1148	1113	1076	1041	1005	969	933	897	861
	"D"	1292	1267	1241	1216	1190	1165	1140	1114	1089	1063	1038	1013	987
28PIC	"A"	1547	1475	1403	1331	1260	1188	1116	1044	972	926	880	859	812
	"B"	711	660	610	559	508	457	406	356	305	254	203	152	101
	"C"	1231	1195	1159	1123	1087	1051	1015	979	943	908	871	836	801
	"D"	1231	1205	1180	1154	1129	1104	1078	1053	1027	1002	977	951	926
26PIC	"A"	1475	1403	1331	1260	1188	1116	1044	972	901	854	833	786	739
	"B"	660	610	559	508	457	406	356	305	254	203	152	101	50
	"C"	1169	1134	1098	1062	1026	990	954	918	882	846	810	774	738
	"D"	1169	1144	1119	1093	1068	1042	1017	992	967	942	917	892	867
24PIC	"A"	1403	1331	1260	1188	1116	1044	972	901	829	808	761	714	667
	"B"	610	559	508	457	406	356	305	254	203	152	101	50	0
	"C"	1108	1072	1036	1000	964	929	893	857	821	785	749	713	677
	"D"	1108	1083	1057	1032	1007	981	956	930	905	880	855	830	805
22PIC	"A"	1331	1260	1188	1116	1044	972	901	829	782	735	688	641	594
	"B"	559	508	457	406	356	305	254	203	152	101	50	0	0
	"C"	1047	1011	975	939	903	867	831	795	759	723	687	651	615
	"D"	1047	1021	996	971	945	920	894	869	844	819	794	769	744
20PIC	"A"	1260	1188	1116	1044	972	901	829	782	735	688	641	594	547
	"B"	508	457	406	356	305	254	203	152	101	50	0	0	0
	"C"	986	949	914	878	842	806	770	734	698	662	626	590	554
	"D"	986	960	935	909	884	859	833	808	783	758	733	708	683
18PIC	"A"	1188	1116	1044	972	901	829	782	735	688	641	594	547	500
	"B"	457	406	356	305	254	203	152	101	50	0	0	0	0
	"C"	924	888	852	816	781	744	709	674	639	604	569	534	499
	"D"	924	899	873	848	822	797	772	747	722	697	672	647	622
16PIC	"A"	1116	1044	972	901	829	782	735	688	641	594	547	500	453
	"B"	406	356	305	254	203	152	101	50	0	0	0	0	0
	"C"	863	827	791	755	719	683	647	611	575	539	503	467	431
	"D"	863	837	812	787	761	736	711	686	661	636	611	586	561
14PIC	"A"	1044	972	901	829	782	735	688	641	594	547	500	453	406
	"B"	356	305	254	203	152	101	50	0	0	0	0	0	0
	"C"	802	766	730	694	658	622	586	550	514	478	442	406	370
	"D"	802	776	751	725	700	675	650	625	600	575	550	525	500
12PIC	"A"	972	901	829	782	735	688	641	594	547	500	453	406	359
	"B"	305	254	203	152	101	50	0	0	0	0	0	0	0
	"C"	740	704	668	632	596	560	524	488	452	416	380	344	308
	"D"	740	715	689	664	639	614	589	564	539	514	489	464	439
10PIC	"A"	901	829	782	735	688	641	594	547	500	453	406	359	312
	"B"	254	203	152	101	50	0	0	0	0	0	0	0	0
	"C"	679	643	607	571	535	499	463	427	391	355	319	283	247
	"D"	679	654	628	603	578	553	528	503	478	453	428	403	378
8PIC	"A"	829	782	735	688	641	594	547	500	453	406	359	312	265
	"B"	203	152	101	50	0	0	0	0	0	0	0	0	0
	"C"	617	582	546	510	474	438	402	366	330	294	258	222	186
	"D"	617	592	567	542	517	492	467	442	417	392	367	342	317
6PIC	"A"	782	735	688	641	594	547	500	453	406	359	312	265	218
	"B"	152	101	50	0	0	0	0	0	0	0	0	0	0
	"C"	556	520	484	448	412	376	340	304	268	232	196	160	124
	"D"	556	531	506	481	456	431	406	381	356	331	306	281	256



IPIC-4 45MT & DL TABLE IN METRIC

DESIGN CHECKLIST

In order to quickly and accurately design a chimney installation, Metal-Fab's Engineering Department needs basic information about the system. Listed below are those items about which information is needed:

1. Application (Boilers, Exhaust, Diesel Engine Exhaust, etc.).
2. Type of fuel to be used (LP Gas, Natural Gas, #2 Oil, etc.).
3. BTU Input or Boiler H.P.
4. Equipment Outlet Pressure:
 - a. Draft hood
 - b. Forced draft with positive, negative or zero inches of water at appliance outlet.
 - c. Induced draft capability and how much.
 - d. Barometric damper
5. Total Vertical Stack Height figured from:
 - a. Top of the draft hood.
 - b. Flue outlet top of boiler (direct connect).
 - c. At barometric damper.
6. Connector rise (piping from the appliance to the center line of breeching).
7. The total length of breeching for one appliance application, or the system length between the flue outlet center line for multiple boiler installations.
8. Single wall or double wall breeching.
9. Type of roof penetration or chase installation.
10. Type of construction - combustible, non-combustible, or fire-rated.
11. Type of chimney support.
12. Obstructions or dimensional restrictions that may exist.

Receipt of this information will expedite the design process

WARRANTIES

ONE YEAR

Metal-Fab warrants PSW, PIC, IPIC-1, -2, and -4 when used in chimney, and exhaust systems for a period of one (1) year from date of original installation when designed, installed, and maintained in accordance with Metal-Fab Installation Instructions.

TWELVE YEAR

Metal-Fab further warrants PSW, PIC, IPIC-1, -2, and -4 when used in chimney and exhaust systems for a period of twelve (12) years from date of original application when designed, installed, maintained, and registered as defined in the full warranty with Metal-Fab in accordance with Metal-Fab Installation Instructions.

Refer to Metal-Fab Warranty forms L865 and L961 for complete information on claim procedures, exclusions, and limitations. Visit www.metal-fabcommercial.com.



800-835-2830